

Light Industrial Panel PCs

AFOLUX ~Affordable Luxury for You~

5.7"~42" Multi-functional Panel PCs

AFOLUX is a remarkable all-in-one panel PC system providing superior performance, streamlined design, and industrial grade durability. Furthermore, the flexible installation alternatives make AFOLUX easy to be used just about anywhere.

AFOLUX is designed to provide cost-effective an versatile solutions to meet the vast demand emerging from semi-industrial computing markets. From clinical to factory environments, restaurants to schools, and entertainment to surveillance devices, AFOLUX is your ultimate choice to fulfill a wide spectrum of applications.



A. AFOLUX Panel PCs



5.7" AFOLUX PPCs



Wide AFOLUX PPCs



10.2~12.1" AFOLUX PPCs



15"~19" AFOLUX PPCs

B. AFOLUX Vertical Application Panel PCs



Retail Solutions
AFL-3 Series



In-Wall Mount Solutions
AFL-4 Series



Fanless Dual Core Solutions
AFL-5 Series



Large Screen Solutions
AFL-6 Series



RFID Solutions
ACT Series



- 1 Automation Panel Solutions
- 2 All-in-One Touch POS
- 3 Digital Signage
- 4 Video Wall Controller
- 5 RISC-based Solutions
- 6 PACSmate Medical
- 7 Optional Peripherals

AFOLUX PPCs Features for your Applications

1
Automation
Panel
Solutions

1. HDMI/Display Port delivers the High Image Quality on the Second Display

2
All-in-One
Touch POS

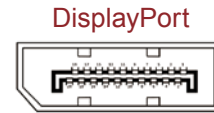
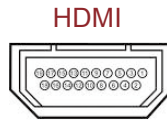
3
Digital
Signage

4
Video Wall
Controller

5
RISC-based
Solutions

6
PACsmate
Medical

7
Optional
Peripherals



HDMI

DisplayPort

DisplayPort is a digital display interface standard put forth by the Video Electronics Standards Association (VESA). It defines a new license-free, royalty-free, digital audio/video interconnect, intended to be used primarily between a computer and its display monitor, or a computer and a home-theater system.

Application - Second Independent Display on LCD/PLASMA Advertising

AFL-517A with Mobile Intel® GM45 Express Chipset and high definition HDMI/DisplayPort interfaces provide outstanding video playback

Solution Models	High Definition Interfaces
AFL-W15A-GM45	HDMI
AFL-W19A(B)-GM45	HDMI
AFL-517A-GM45	HDMI/DisplayPort
AFL-15C-QM57	
AFL-17C-QM57	
AFL-19C-QM57	

2. Slim Type CD/DVD Combo Drive

AFL PPCs integrated with optical drive gives this multimedia panel PC even more functionality.



Solution Models	Optical Drive Spec.	
	Drive Type	Internal Slim CD-RW/DVD Combo Drive
AFL-17D-xxxx AFL-W19B-xxxx AFL-317Ax-945 AFL-315Ax-945 AFL-517A -GM45	Data Transfer Rate	Write: CD-R: 24X CD-RW: 24X
	Interface	SATA
	Buffer Memory	2MB
		Read: DVD-ROM: 8X CD-ROM: 24X



3. Waterproof CMOS Camera and Digital Microphone

(A) 300K pixel Camera with Low-light Function

Video Conferencing



Features

- Auto white balance
- Auto exposure
- Auto compensation
- Focus range of 25 cm to Infinity
- Flip Control Option

Work Best in Low Light Condition!

Specifications

- VGA resolution image sensor
- Video resolution: 640x480, 352x288, 320x240, 176x144, 160x120.
- Frame rate: 640x480@ 30fps max.
- Storage Format of Image: AVI
- Storage Format of Photograph: BMP, JPEG

	AFL-08B-N270	AFL-W10A-N270	AFL-W15A-xxxx
Solution Models	AFL-W19A(B)-xxxx	ACT-08A-xxxx	AFL-317A-945
	AFL-4xxA-N270		AFL-17D-xxxx
Camera Spec.	300K pixel VGA camera with low light function		

(B) Two Mega pixel Camera with Auto-focus Function

VoIP



Features

- Auto white balance
- Auto exposure
- Auto gain control
- Auto Focus@10cm~infinity..
- GA compliant

Auto-Focus without manual adjustments

Specifications

- XGA resolution image sensor
- Video resolution: 1600x1200, 1280x1024, 1024x768, 800x600, 640x480, 352x288, 320x240, 176x144, 160x120.
- Frame rate: 1600x1200@ 15 fps max, 640x480@ 30fps max.
- Max. image transfer rate: 2M @ MJPG 15fps; 1.3M @ MJPG 15fps; VGA @ MJPG 30fps

Solution Models	AFL-315Ax-945
Camera Spec.	2 Mega pixel XGA camera with Auto-focus function

Note: Optional 1.3MP Camera with Digital Microphone Module

SXGA resolution image sensor
Video resolution: 1280 x 1024, 800x 600, 640 x 480, 352x288, 320x240, 176x144, 160x120.

4. Software System OSD Control



IEI patented system software settings utility allows users to adjust system settings from software under Windows environment instead of adjustment from the membrane keypad below the front panel.

Ambient light sensor



Volume adjustment

Brightness adjustment

5. Ambient Light Sensor

Benefits:

- Avoid eye strained and tired, to provide comfortable viewing
- Power consumption saving
- Extend lamp lifetime



Ambient Light Sensor

Solution Models
AFL-W15A-xxxx
AFL-W19A(B)-xxxx
AFL-642AE
AFOLUX In-Wall Panel PCs

6. Optional Magnetic Stripe Card/Smart Card/iButton Reader

1
Automation Panel Solutions



Easy arranging the cable

2
All-in-One Touch POS



Back mounting holes designed for the bracket kit

3
Digital Signage

4
Video Wall Controller

(1) Magnetic Stripe Reader



Magnetic Card Reader

(2) Hybrid Card Reader

- Magnetic Card
- IC Card
- iButton



Smart Card Reader

iButton

The iButton can be used to store cash for small transactions, or as an electronic asset tag to store information needed to keep track of valuable capital equipment.

Magnetic Card Reader

P/N	AFLP-12BMSR-U / AFLP-17AMSR-U	AFLP-12BMSI-U / AFLP-17AMSI-U
General	90 mm Magnetic Stripe Reader Programming: By Software Download Program Card Standard: ANSI , ISO , ABA Track Read: ISO 1,2,3 (IATA,ABA,THRIFT/ MINTS), JISII100-1000mm/sec	(1) Magnetic Card: ISO 7811, AAMVA, DMV, JIS II (2) Smart Card: ISO 7816, EMV (3) Dallas iButton
Electrical	Voltage:DC+5V, +/-5% Reading Indicator:Beeper	Voltage: DC+5V,+/-5% Reading Indicator:Beeper
Environment	Operating Temperature: 0°C to 40°C Relative Humidity: 20% to 85 % (Non-condensing)	Operating Temperature: -10°C to 55°C Relative Humidity: 10% to 90 % (Non-condensing)
Physical	Cable: Straight 2.5ft Weight: Approx.61g	Cable: Straight 2.5ft Weight: Approx.60g
Interface	USB	USB



5
RISC-based Solutions

7. Hardware System OSD Control

6
PACsmate Medical

(A) Membrane Keypad below the Panel



Keypad/lock secures your setting

To help identify the ports, there are labels marked on the keypad which is below the panel.

7
Optional Peripherals

(B) IR Remote Control



Difficult to reach Location

Solution Models	Hardware OSD Control	
AFL-xxC-9652	5-key Keypad	LCD On/Off, Volume, Brightness
AFL-17D-xxxx		
AFL-W19B-xxxx		
AFL-W15A-xxxx	7-key Keypad/IR Control	LCD On/Off, System On/Off, Volume, Brightness, Ambient Light Sensor
AFL-W19A-xxxx		
AFL-642AE	7-key Keypad/IR Control	LCD On/Off, Volume, Brightness, Ambient Light Sensor
AFOLUX In-Wall Panel PCs	IR Control	LCD On/Off, System On/Off, Volume, Brightness, Ambient Light Sensor



8. IEI Intelligent System Management Module (ISMM)

IEI iSMM is a system health supervision API which utilizes sensor chips on IEI motherboards to track system and CPU temperatures, voltages, cooling fan speed., WDT and Digital I/O set up status . By quickly capturing and reporting system health data, users can prevent disasters such as system instability or damage.

iSMM

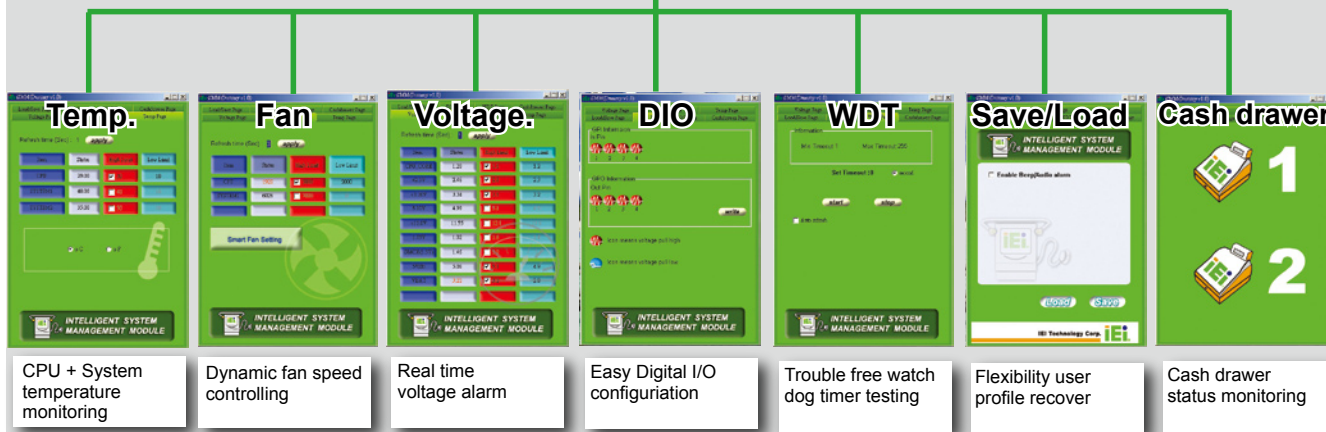
Full Graphic Interface, Real-time, 6 in 1 Modules !!

IEI Exclusive Diagnosis Software



IEI Solutions Compliance Only

Functions



9. Selectable AT/ATX Power Mode



AT Power Mode



Applications

- ATM
- Self-service kiosk
- Plant environment monitoring system
- Factory automation platform
- Manufacturing shop flow

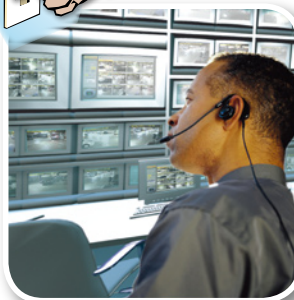
Advantages

- Easy to turn on/off with wall/panel mounting
- Automatic start when power connected

With the AT mode selected, the power is controlled by a central power unit rather than a power switch. The AFOLUX PPCs turns on automatically when the power is connected.



ATX Power Mode



Applications

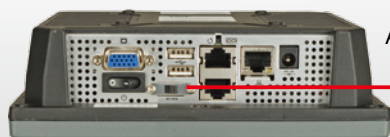
- Security surveillance
- Point-of-Sale (POS)
- Advertising terminal

Advantages

- Power management
- Remote control via network advantage

With the ATX mode selected, the AFL-915 series panel PC goes in a standby mode when it is turned off. The panel PC can be easily turned on via network or a power switch in standby mode. Remote power control is perfect for advertising applications since the broadcasting time for each panel PC can be set individually and controlled remotely.

Convenient Power Mode Setting



AT/ATX switch on the rear panel



At the bottom right on the aluminum chassis

A. AFOLUX Panel PCs

1
Automation
Panel
Solutions

2
All-in-One
Touch POS

3
Digital
Signage

4
Video Wall
Controller

5
RISC-
based
Solutions

6
PACsmate
Medical

7
Optional
Peripherals



15"~19" AFOLUX Panel PCs

5.7" Mini- fanless
AFOLUX Panel PCs



Wide AFOLUX
Panel PCs

10.2~12.1" AFOLUX
Panel PCs



Distinctive Features:

- 5.7"~19" All-in-One Panel PC
- Integrated with robust 4/5-wire resistive touch panel
- Highly integrated 802.11 wireless module
- Built-in two speakers and line-out extend voice functions for Kiosks, POS and advertising applications
- Built-in bluetooth technology rids systems of cables and allows wireless connection to peripheral devices like head phones, printers, barcode readers or game controllers
- VESA-mountable for flexibility in mounting and deployment
- Comprehensive set of USB and full legacy I/O ports for peripherals and accessories
- Enabling easier access to the internet through a HSUPA network (Optional)
- Turn-key solution with embedded Window CE/Windows XP Embedded/Linux OS (Optional)

2010 New Models



AFL-xxC-QM57
High Performance Intel® QM57 Panel PC



AFL-F08A-N270
8.0" Flat-Bezel Panel PC



Extreme Low Power ATOM Series

MARKETS

- E-learning
- Conference Room
- Digital Signage
- Transportation
- Point Of Service
- Pos Sytem
- Retailing
- Hospitality
- Factory Automation
- Medical
- Entertainment
- Fitness Euipeument
- Medical
- Interacite Interview System
- Car Pc
- Work Flow
- Media Control Center
- Security Center
- Ballrooms
- Hotels
- Schools
- Residential

8" PPCs built in Camera Module



Platform		Small Size		Medium Size				General Size					
		5.7"	Wide 7"	8"	8.4"	10.4"	Wide 10.2"	12.1"	15"	Wide 15"	17"	19"	Wide 19"
		640x 480	800x 480	800 x 600		800x 600	1024 x 600	1024 x 768	1024 x 768	1366 x 768	1280 x 1024	1280 x 1024	1440 x 900
Fanless Embedded Computing	AMD LX800	AFL-057A-LX	AFL-07A-LX		AFL-08AH-LX	AFL-10A-LX		AFL-12A-LX					
	Intel® 945GSE(ATOM)		AFL-07A-N270	AFL-08B-N270	AFL-08AH-N270	AFL-10A-N270	AFL-W10A-N270	AFL-12A-N270	AFL-15A-N270	AFL-W15A-N270	AFL-17D-N270		AFL-W19A-N270
Single Core Computing	Intel® 910GML/915GME					Fanless AFL-10A-9103		Fanless AFL-12B-9103	Fanless AFL-15A-915		Fanless AFL-17A-915	Fanless AFL-19A-915	
	Intel® 915GME								Fanless AFL-15B-915		Fanless AFL-17B-915	Fanless AFL-19B-915	
Dual Core Computing	Intel® GME965								Fanless AFL-15C-9652		Fanless AFL-17C-9652	Fanless AFL-19C-9652	
	Intel® GM45									AFL-W15A-GM45	AFL-17D-GM45		AFL-W19B-GM45
	Intel® QM57								AFL-15C-QM57		AFL-19C-QM57		AFL-19C-QM57

5.7" VGA AFOLUX PPC

AFL-057A-LX

AMD Geode LX-800 500 MHz Processor



LED Backlight
 • 50000 MTBF
 • 15W Low Power Consumption



Features

- 5.7" VGA TFT LED backlight LCD with resistive touch screen
- Compact design with plastic housing
- Fanless cooling system with aluminum die-casting back cover
- Selectable AT/ATX power mode
- System memory up to 1 GB SDRAM
- One compact flash slot
- IP 64 compliant front panel
- IEI One Key Recovery solution allows you to create rapid OS backup and recovery (Suggest over 4GB storage capacity)



Specifications

Model	AFL-057A-LX
LCD Size	5.7"
Max Resolution	640(W) x 480(H)
Brightness (cd/m ²)	400
Contrast Ratio	300:1
LCD Color	262K
Pixel Pitch (mm)	0.06(W) x 0.18(H)
Viewing Angle (H-V)	140° / 100°
Backlight MTBF	50,000 hrs
SBC Model	AFLMB-LX2-800
CPU	AMD Geode™ LX 800 (500Mhz)
Chipset	AMD LX800 + AMD CS5536
RAM	Supports one 333MHz or 400MHz DDR SO-DIMM (1GB Max.)
I/O Ports	1 x RJ45 for RS-232 COM Port 1 x RJ45 for RS-232/422/485 COM Port 2 x USB 2.0 1 x RJ45 for 10/100Mbps LAN 1 x VGA Port 1 x Power Switch 1 x Reset Button 1 x Power Jack
SSD	CF Typell
Watchdog Timer	Software Programmable supports 1~255 sec. System Reset
Audio	AMP 1.5W + 1.5W (internal speaker)
Expansion	1 x Wireless Lan 802.11 b/g Module (internal USB interface) 1 x Bluetooth Function (internal USB interface, Bluetooth V2.0)
Construction Front Panel	ABS + PC Plastic front frame /Aluminum die casting body
LED Function	1 x LED on Front Panel for Power ON/OFF
Mounting	Panel, Wall, Rack, Stand or Arm mounting VESA 75 x 75mm
Front Panel Color	Gray 7539U
Dimension (WxHxD) (mm)	180 x 135 x 55
Operation Temperature (°C)	0~50 °C
Storage Temperature (°C)	-20 °C ~ 60 °C
N/G Weight	0.8 Kg
IP Level	Front Frame IP64
Safety & EMC	CE / FCC / CB / CCC
Touch Screen	Resistive Type 4-Wire (touch controller IC is on board)
Power Adapter	P/N: 63000-FSP0361AD101C941-RS 36W Power Adapter Input: 90VAC~264VAC, 50/60Hz Output: 12VDC
Power Requirement	12VDC
Power Consumption	15W

1
Automation
Panel
Solutions

2
All-in-One
Touch POS

3
Digital
Signage

4
Video Wall
Controller

5
RISC-
based
Solutions

6
PACSmate
Medical

7
Optional
Peripherals

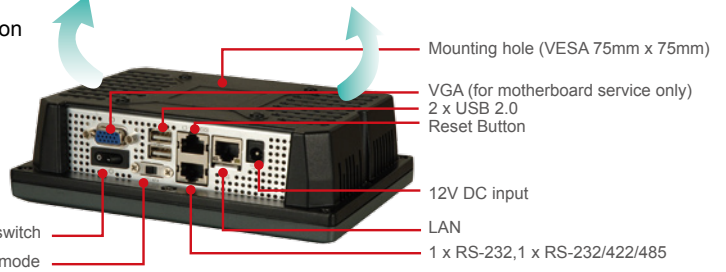
Fully Integrated I/O

Fanless Design

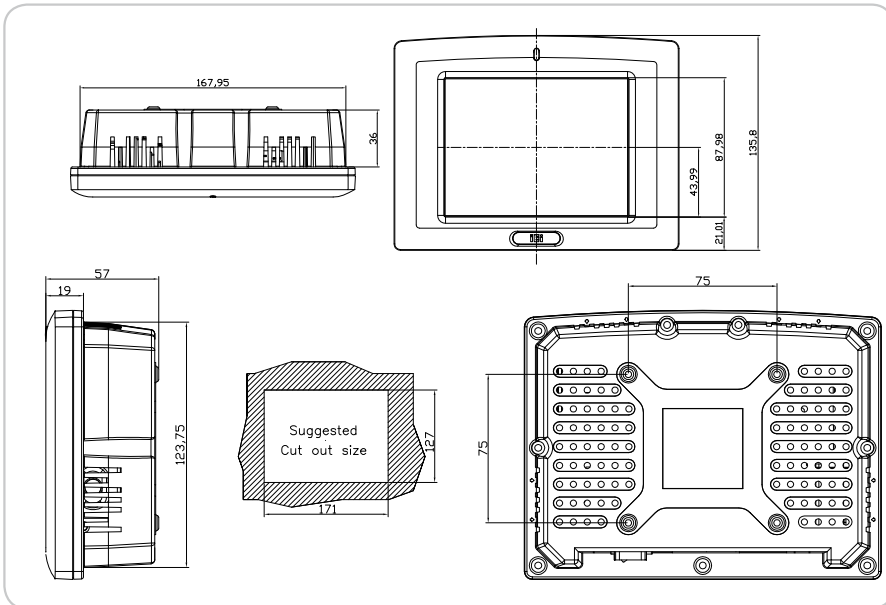
The mini size all-in-one Panel PC is designed with cast aluminum chassis which is ideal for demanding environments. The strong, rigid casings are corrosion-resistant and have good heat dissipation properties.

- Less down time
- Extended operational lives as they are not exposed to overheating problems caused by fan failures
- Reduce maintenance costs

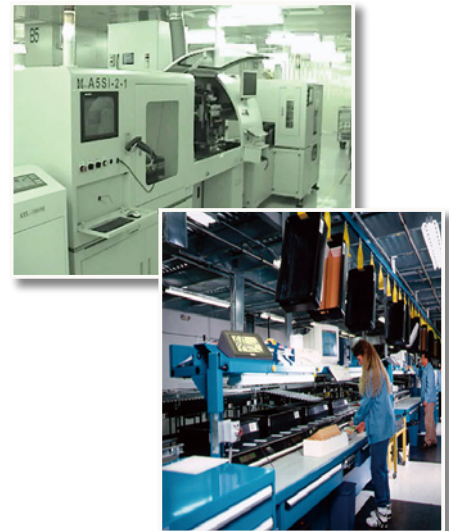
Good Heat Dissipation!



Dimensions (Unit: mm)



Application: Factory Automation



Ordering Information

Part Number	Description
AFL-057A-LX/WT-R/256MB	5.7" VGA fanless panel PC with AMD LX-800 CPU, AT/ATX mode, wireless module, touch screen and 256MB DDR RAM, Bluetooth, RoHS
AFL-057A-LX/WT-R/512MB	5.7" VGA fanless panel PC with AMD LX-800 CPU, AT/ATX mode, wireless module, touch screen and 512MB DDR RAM, Bluetooth, RoHS

Options

Model	AFL-057-LX
Panel mounting kit	AFLPK-12
Wall mounting kit	AFLWK-12
Rack mounting kit	AFLRK-057
ARM	ARM-11-RS / ARM-31-RS
Stand	STAND-A08 / STAND-100-RS
VSTAND	VSTAND-A07
9-30VDC to 12VDC converter module	IDD-930160-KIT
OS: Win CE 5.0 (128 MB CF card)	AFLCF-057-LX-CE
OS: Win CE 6.0 (128 MB CF card)	AFLCF-057-LX-CE060
OS: Win XPE (1 GB CF card)	AFLCF-057-LX-XPE
OS: LINUX (2 GB CF card)	AFLCF-057-LNX-R10
Hybrid Card Reader	AFLP-08AMSI-U
Magnetic Stripe Reader	AFLP-08AMSR-U
DC 12V Input UPS	AUPS-A10-R10 (7.4V 3800MAH)
DC 9-36V Input UPS	AUPS-A20-R10 (7.4V 3800MAH)

ISMM Support Functions

	Fan	Smart Fan	Temperature	WDT	Cash Drawer
AFL-057A-LX				V	

Packing List

Item	Part Number	Q'ty	Specification
Screws Pack	44013-030041-RS	4	M3;5mm
Power Adpater	63000-FSP0361AD101C941-RS	1	90~264V AC; 12V DC; 36W
Power Cord	32000-000002-RS	1	1750mm (EU or US, Which type of cord is shipped depends on the shipment country)
Utilities CD	7B000-000087-RS	1	
Touch Pen	XTR104-0002-RS	1	

1 Automation Panel Solutions

2 All-in-One Touch POS

3 Digital Signage

4 Video Wall Controller

5 RISC-based Solutions

6 PACSmate Medical

7 Optional Peripherals

7" Wide Screen WVGA AFOLUX PPC

AFL-07A-LX

AMD Geode LX-800 500 MHz Processor

AFL-07A-N270

Intel® Atom™ N270 1.6GHz Processor



(Optional Stand Kit)

Optional 18V ~30V Wide DC Power Input

The compact fanless AFL-07A-LX model with widescreen high brightness panel is ideal for limited space and better image requirements such as car PCs.



Features

- 7" widescreen WVGA LED Backlight TFT LCD with resistive touch screen
- 18V~30V wide range DC power input (Optional)
- Compact design with plastic housing
- Fanless cooling system
- Selectable AT/ATX power mode
- System memory up to 2 GB SDRAM
- Built-in 802.11b/g Wireless LAN
- Built-in Bluetooth module
- Built-in two 1.5 W speakers
- One compact flash slot
- IP 64 compliant front panel
- IEI One Key Recovery solution allows you to create rapid OS backup and recovery (Suggest over 4GB storage capacity)



Specifications

Model	AFL-07A-LX-R12 / AFL-07A-LX24V	AFL-07A-N270-R10
LCD Size	7"	
Max Resolution	800 x 480	
Brightness (cd/m ²)	400	
Contrast Ratio	400:1	
LCD Color	262K	
Pixel Pitch (mm)	0.0635(H) x 0.1905(V)	
Viewing Angle (H-V)	140° / 110°	
Backlight MTBF	50000 hrs	
SBC Model	AFLMB-LX-800	AFLMB-945GSE-N270-R10
CPU	AMD Geode™ LX 800 (500Mhz)	Intel® Atom™ process N270 1.6GHz CPU
Chipset	AMD LX800 + AMD CS5536	Intel® 945GSE + ICH7M
RAM	Supports one 333MHz or 400MHz DDR SO-DIMM (1GB Max.)	Supports one 400MHz or 533MHz DDRII SO-DIMM (2GB Max.)
I/O Ports	1 x RS-232 COM Port 1 x RS-232/422/485 COM port 2 x RJ45 for 10/100Mbps LAN 2 x USB 2.0 1 x Power Switch 1 x Reset Button 1 x Power Jack 1 x Audio Jack (Line-out)	1 x RS-232 COM Port 1 x RS-232/422/485 COM port 2 x RJ-45 for Giga LAN 2 x USB 2.0 1 x Power Switch 1 x Reset Button 1 x Power Jack 1 x External SATA 1 x Audio Jack (Line-out)
SSD	CF Typell	
Watchdog Timer	Software Programmable supports 1~255 sec. System Reset	
Audio	AMP 1.5W + 1.5W (internal speaker)	
Expansion	1 x Wireless Lan 802.11 b/g Module (internal Mini PCI interface) 1 x Bluetooth Function (internal USB interface, Bluetooth V2.0)	1 x Wireless Lan 802.11 b/g Module (internal PCIe mini card interface) 1 x Bluetooth Function (internal USB interface, Bluetooth V2.0)
Drive Bay	N/A	
Optional HSUPA Module (support GSM 850, EGSM 900, DCS 1800 & 1900)	N/A	
Construction Front Panel	ABS + PC Plastic front frame	
LED Function	1 x LED on Front Panel for Power ON/OFF	
Mounting	Panel, Wall, Rack, Stand or Arm mounting VESA 75 x 75mm	
Front Panel Color	Gray 7539U	
Dimension (WxHxD) (mm)	226 x 140 x 41	
Operation Temperature (°C)	0~50°C	-10°C ~50°C
Storage Temperature (°C)	-20°C ~ 60°C	
N/G Weight	0.6 Kg	
IP Level	Front Frame IP64	
Safety & EMC	CE / FCC / CB / CCC	
Touch Screen	Resistive Type 4-Wire (Touch controller IC is on board)	
Power Adapter	P/N: 63000-FSP036RAB608-RS 36W Power Adapter Input: 90VAC~264VAC, 50/60Hz Output: 12VDC	
Power Requirement	12VDC/ 18~30VDC	12VDC
Power Consumption	20W	23W

1 Automation Panel Solutions

2 All-in-One Touch POS

3 Digital Signage

4 Video Wall Controller

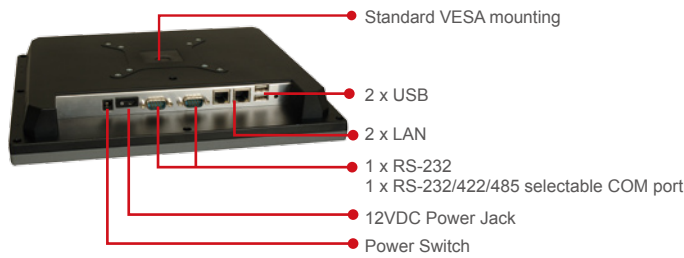
5 RISC-based Solutions

6 PACSmate Medical

7 Optional Peripherals

Fully Integrated I/O

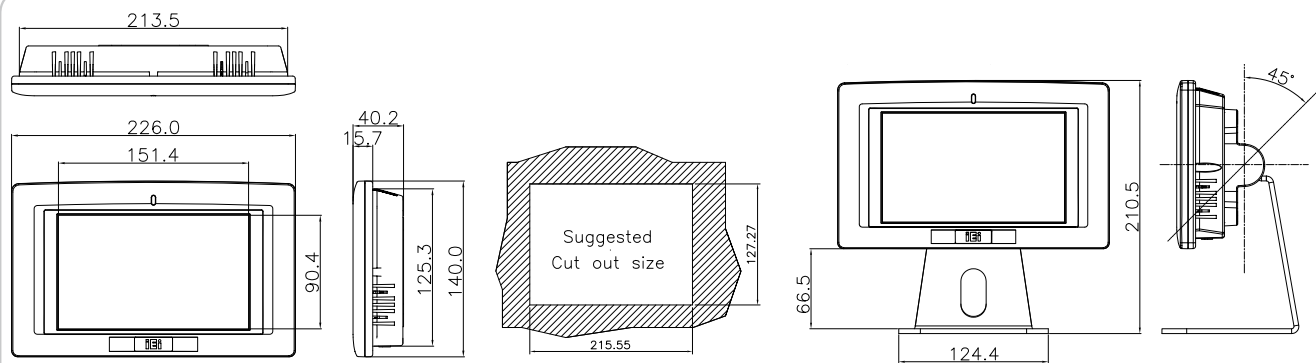
• AFL-07A-LX



• AFL-07A-N270



Dimensions (Unit: mm)



Ordering Information

Part Number	Description
AFL-07A-LX/R/256-R20	7" 400 cd/m ² , WVGA fanless panel PC with AMD LX-800 CPU, AT/ATX mode, 802.11b/g Wireless Module, Bluetooth Module, Touch screen and 256MB DDR RAM, R20, RoHS
AFL-07A-LX/R/512-R20	7" 400 cd/m ² , WVGA fanless panel PC with AMD LX-800 CPU, AT/ATX mode, 802.11b/g Wireless Module, Bluetooth Module, Touch screen and 512MB DDR RAM, R20, RoHS
AFL-07A-LX24V/R/256-R20	7" 400 cd/m ² , WVGA fanless panel PC with AMD LX-800 CPU, 18~30VDC input, AT/ATX mode, 802.11b/g Wireless Module, Bluetooth Module, Touch screen and 256MB DDR RAM, R20, RoHS
AFL-07A-LX24V/R/512-R20	7" 400 cd/m ² , WVGA fanless panel PC with AMD LX-800 CPU, 18~30VDC input, AT/ATX mode, 802.11b/g Wireless Module, Bluetooth Module, Touch screen and 512MB DDR RAM, R20, RoHS
AFL-07A-N270/R/1G-R20	7" 400 cd/m ² WVGA fanless panel PC with Intel® Atom™ N270 1.6GHz, 802.11b/g wireless module, bluetooth module, touch screen ,1GB DDR2 533, R20, RoHS

Note: WiFi 802.11 draft N is upgradable.

Options

Model	AFL-07A-LX	AFL-07A-N270
Panel mounting kit	AFLPK-12	
Wall mounting kit	AFLWK-12	
Rack mounting kit	AFLRK-07	
ARM	ARM-11-RS / ARM-31-RS	
Stand	STAND-A08 / STAND-100-RS	
VSTAND	VSTAND-A07	
9~30VDC to 12VDC converter module	IDD-930160-KIT	
OS: Win CE 5.0 (128 MB CF card)	AFLCF-07-LX-CE-R11	N/A
OS: Win CE 6.0 (128 MB CF card)	AFLCF-07-LX-CE060-R11	AFLCF-07-N270-CE060-R10
OS: Win XPE (1 GB CF card)	AFLCF-07-LX-XPE-R11	AFLCF-07-N270-XPE-R10
OS: LINUX (2 GB CF card)	AFLCF-07-LX-LNX-R10	AFLCF-07-N270-LNX-R10
Hybrid Card Reader	AFLP-08AMSI-U	
Magnetic Stripe Reader	AFLP-08AMSR-U	
DC 12V Input UPS	AUPS-A10-R10 (7.4V 3800mAh)	
DC 9~36V Input UPS	AUPS-A20-R10 (7.4V 3800mAh)	

ISMM Support Functions

	Voltage	Fan	Smart Fan	Temperature	WDT	Cash Drawer
AFL-07A-LX	√			√	√	
AFL-07A-N270	√			√	√	

Packing List

Item	Part Number	Q'ty	Specification
Screws Pack	44013-030041-RS	4	M3;5mm
Power Adpater	63000-FSP036RAB608-RS	1	90~264V AC; 12V DC; 36W
Power Cord	32000-000002-RS	1	1750mm; European Standard (EU or US, Which type of cord is shipped depends on the shipment country)
Utilities CD	7B000-000087-RS	1	
Touch Pen	XTR104-0002-RS	1	

Note: AFL-07A-LX24V model without power adapter

1 Automation Panel Solutions

2 All-in-One Touch POS

3 Digital Signage

4 Video Wall Controller

5 RISC-based Solutions

6 PACSmate Medical

7 Optional Peripherals

8.4" SVGA AFOLUX Panel PC

AFL-08AH-LX

AMD Geode LX-800 500 MHz Processor

AFL-08AH-N270

Intel® Atom™ N270 1.6GHz Processor



Optional 18V ~30V
Wide DC Power Input

450 nits
High Brightness!

Features



- 8.4" TFT LED Backlight LCD with resistive touch screen
- 18V~30V wide range DC power input (Optional)
- Fanless cooling system
- Selectable AT/ATX power mode
- System memory up to 2GB SDRAM
- Built-in 802.11b/g Wireless LAN
- Built-in Bluetooth module
- Built-in two 1.5 W speakers
- One compact flash slot
- IP 64 compliant front panel
- IEI One Key Recovery solution allows you to create rapid OS backup and recovery (Suggest over 4GB storage capacity)



Specifications

Model	AFL-08AH-LX-R12 / AFL-08AH-LX24V	AFL-08AH-N270-R10
LCD Size	8.4"	
Max Resolution	800 x 600	
Brightness (cd/m ²)	450	
Contrast Ratio	600:1	
LCD Color	262K	
Pixel Pitch (mm)	0.213(H) x 0.213(V)	
Viewing Angle (H-V)	160° / 140°	
Backlight MTBF	50000 hrs	
SBC Model	AFLMB-LX-800	AFLMB-945GSE-N270-R10
CPU	AMD LX 800 (500MHz)	Intel® Atom™ process N270 1.6GHz CPU
Chipset	AMD LX 800 + AMD CS5536	Intel® 945GSE + ICH7M
RAM	Supports one 400MHz or 533MHz DDR SO-DIMM (1GB Max.)	Supports one 400MHz or 533MHz DDR2 SO-DIMM (2GB Max.)
I/O Ports	1 x RS-232 COM Port 1 x RS-232/422/485 COM port 2 x RJ-45 for 10/100Mbps LAN 2 x USB 2.0 1 x Power Switch 1 x Reset Button 1 x Power Jack	1 x RS-232 COM Port 1 x RS-232/422/485 COM port 2 x RJ-45 for Giga LAN 2 x USB 2.0 1 x Power Switch 1 x Reset Button 1 x External SATA 1 x Audio Port 1 x Power Jack
SSD	CF Typell	
Watchdog Timer	Software programmable supports 1~255 sec. System reset	
Audio	AMP 1.5W + 1.5W (internal speaker)	
Expansion	1 x Wireless Lan 802.11 b/g Module (internal Mini PCI interface) 1 x Bluetooth Function (internal USB interface, Bluetooth V2.0)	1 x Wireless Lan 802.11 b/g Module (internal PCIe mini card interface) 1 x Bluetooth Function (internal USB interface, Bluetooth V2.0)
Drive Bay	N/A	
Optional HSUPA Module (support GSM 850, EGSM 900, DCS 1800 & 1900)	N/A	
Construction Front Panel	ABS + PC Plastic front frame	
LED Function	1 x Power ON/OFF LED on Front Panel	
Mounting	Panel, Wall, Rack, Stand and Arm VESA 75mm x 75mm	
Front Panel Color	Gray 7539U	
Dimension (WxHxD) (mm)	234 x 184 x 42	
Operation Temperature (°C)	0°C ~ 50°C	-10°C ~ 50°C
Storage Temperature (°C)	-20°C ~ 60°C	
N/G Weight	0.8 Kg	
IP Level	Front Frame IP64	
Safety & EMC	CE / FCC / CB / CCC	
Touch Screen	Resistive Type 4-Wire (Touch controller IC is on board)	
Power Adapter	P/N: 63000-FSP036RAB608-RS 36W Power Adapter Input: 90VAC~264VAC, 50/60Hz Output: 12VDC	
Power Requirement	12VDC or 18~30VDC	12VDC
Power Consumption	20W	29W

1
Automation
Panel
Solutions

2
All-in-One
Touch POS

3
Digital
Signage

4
Video Wall
Controller

5
RISC-
based
Solutions

6
PACSmate
Medical

7
Optional
Peripherals

1
Automation
Panel
Solutions

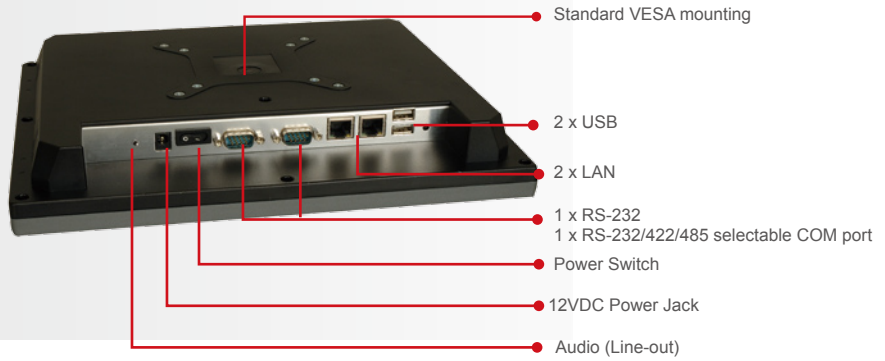
Fully Integrated I/O

• AFL-08AH-LX



2
All-in-One
Touch POS

• AFL-08AH-N270



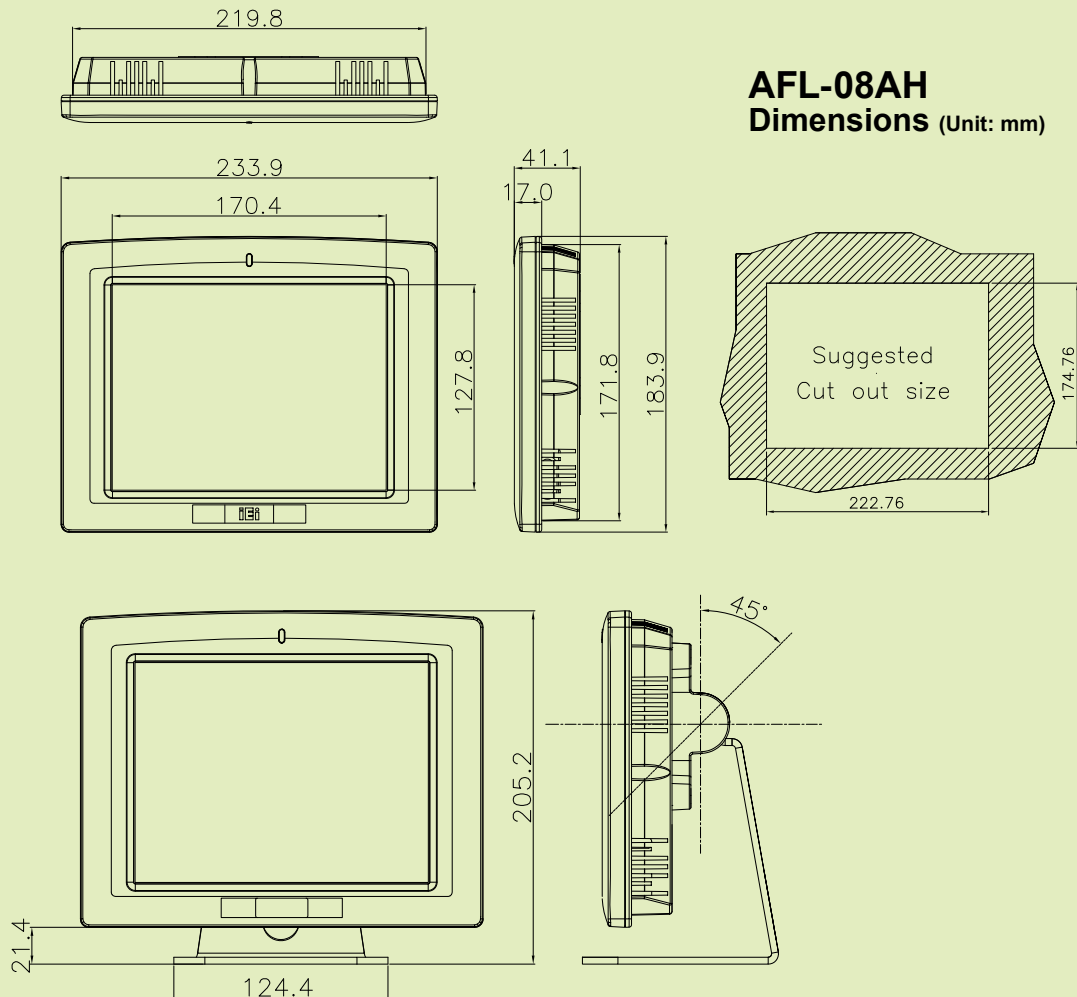
3
Digital
Signage

4
Video Wall
Controller

5
RISC-
based
Solutions

6
PACSmate
Medical

7
Optional
Peripherals





Ordering Information

Part Number	Description
AFL-08AH-LX/R/256-R20	8.4" 450 cd/m ² , SVGA fanless panel PC with AMD LX-800 CPU, AT/ATX mode, 802.11b/g Wireless Module,Bluetooth Module,Touch screen and 256MB DDR RAM, R20, RoHS
AFL-08AH-LX/R/512-R20	8.4" 450 cd/m ² , SVGA fanless panel PC with AMD LX-800 CPU, AT/ATX mode, 802.11b/g Wireless Module,Bluetooth Module,Touch screen and 512MB DDR RAM, R20, RoHS
AFL-08AH-LX24V/R/256-R20	8.4" 450 cd/m ² , SVGA fanless panel PC with AMD LX-800 CPU, 18-30VDC input , AT/ATX mode, 802.11b/g Wireless Module,Bluetooth Module,Touch screen and 256MB DDR RAM, R20, RoHS
AFL-08AH-LX24V/R/512-R20	8.4" 450 cd/m ² , SVGA fanless panel PC with AMD LX-800 CPU, 18-30VDC input , AT/ATX mode, 802.11b/g Wireless Module,Bluetooth Module,Touch screen and 512MB DDR RAM, R20, RoHS
AFL-08AH-N270/R/1G-R20	8.4" 450 cd/m ² , SVGA fanless panel PC with Intel® Atom™ N270 1.6GHz,802.11b/g wireless module, bluetooth module, touch screen , 1GB DDR2 533, R20, RoHS

Note: WiFi 802.11 draft N is upgradable.

Options

Model	AFL-08AH-LX	AFL-08AH-N270
Panel mounting kit	AFLPK-12	
Wall mounting kit	AFLWK-12	
Rack mounting kit	AFLRK-08	
ARM	ARM-11-RS / ARM-31-RS	
Stand	STAND-A08 / STAND-100-RS	
VSTAND	VSTAND-A10	
9-30VDC to 12VDC converter module	IDD-930160-KIT	
OS: Win CE 5.0 (128 MB CF card)	AFLCF-08-LX-CE-R11	N/A
OS: Win CE 6.0 (128 MB CF card)	AFLCF-08-LX-CE060-R11	AFLCF-08-N270-CE060-R10
OS: Win XPE (1 GB CF card)	AFLCF-08-LX-XPE-R11	AFLCF-08-N270-XPE-R10
OS: LINUX (2 GB CF card)	AFLCF-08-LX-LNX-R10	AFLCF-08-N270-LNX-R10
Hybrid Card Reader	AFLP-08AMSI-U	
Magnetic Stripe Reader	AFLP-08AMSR-U	
DC 12V Input UPS	AUPS-A10-R10 (7.4V 3800mAh)	
DC 9-36V Input UPS	AUPS-A20-R10 (7.4V 3800mAh)	

ISMM Support Functions

	Voltage	Fan	Smart Fan	Temperature	D_IO	WDT	Cash Drawer
AFL-08AH-LX	V			V		V	
AFL-08AH-N270	V			V		V	

Packing List

Item	Part Number	Q'ty	Specification
Screws Pack	44013-030041-RS	4	M3;5mm
Power Adpater	63000-FSP036RAB608-RS	1	90~264V AC; 12V DC; 36W
Power Cord	32000-000002-RS	1	1750mm; European Standard (EU or US, Which type of cord is shipped depends on the shipment country)
Utilities CD	7B000-000087-RS	1	
Touch Pen	XTR104-0002-RS	1	

Note: AFL-08AH-LX24V model without power adapter

AFL-F08A 8" Flat-Bezel Panel PC



The new 8" panel is a full-flat surface touchscreen PC. The AFL-F08A includes all necessary input/output interfaces to control any subsystem or automation hardware in your office, business, or home. The new stylish design is easily integrated into any environment. The front panel is IP64 compliant. An optional projected capacitive touchscreen provides a multi-touch interactive user experience.

Features:

- 8.0" LED TFT-LCD with stylish Flat-bezel touchscreen
- Optional projected capacitive touchscreen supports multitouch
- Fanless system with Intel® Atom™ Processor N270 (512K Cache, 1.60 GHz, 533 MHz FSB)
- Hot keys controlled by cap-sensor in the front panel
- Optional color change kit matches the style of any decoration
- Wireless WI-FI LAN 802.11 b/g
- Integrated Bluetooth 2.0 module
- Build-in 300K pixel CMOS camera with low-light capability
- Two 1.5W speakers and microphone for multimedia applications
- IP64 compliant front panel
- IEI One Key Recovery solution allows you to create rapid OS backup and recovery (Suggest over 4GB storage capacity)



Full-flat Surface Touchscreen

The AFL-F08A flat-bezel design covers the entire front frame (bezel) of standard LCD to make the screen and bezel appear to blend together. The seamless flat-bezel touchscreen system offers a stylish and easy to clean surface.

Flat-Bezel Advantages:

- Better visual effects
- No edge effects
- Sleek and stylish
- Easy to clean



Applications:



OFFICE



LIVING ROOM



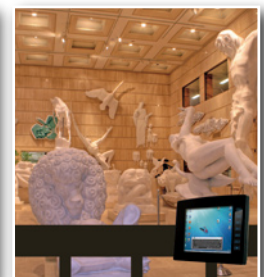
YACHTING



KITCHEN



AUTOMATION



MUSEUM

1
Automation Panel Solutions

2
All-in-One Touch POS

3
Digital Signage

4
Video Wall Controller

5
RISC-based Solutions

6
PACSmate Medical

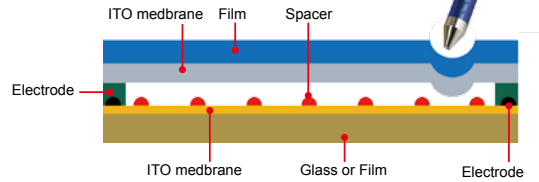
7
Optional Peripherals

5-wire Resistive Touch sensor



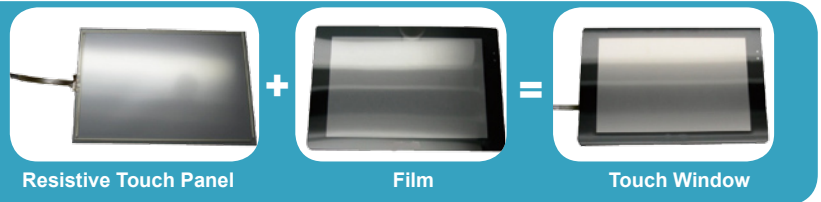
Operational Theory

There are two major parts of resistive touch panel: ITO film and ITO glass. Two conductive layers are separated and isolated by the dot spacers scattered evenly on the ITO glass. Only when the proper activation force is applied onto the ITO film, these two conductive layers are contacted and the analog signal (the voltage) will be sent out to the touch panel controller then transferred into a digital signal for system processing.



Touch Window Architecture

The AFL-F08A utilizes the touch window technology which consisting a decorative film overlay mounted in front of the touch panel to achieve the true-flat surface of a flat-bezel touch system.



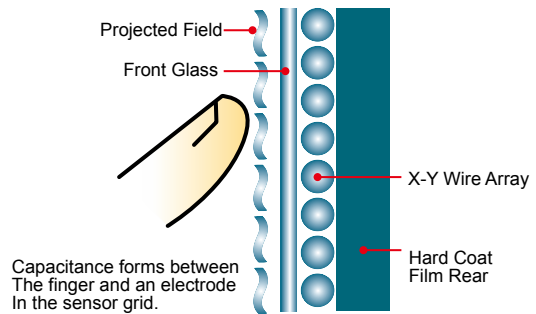
Projected Capacitive Touch sensor

Operational Theory

PCT is based on the principle of embedding an array of micro-fine sensing wires within a multi-layer laminated screen behind a protective front surface, ensuring that the sensing medium is well-protected from accidental and malicious damage.

Windows® 7 with Multi-touch Capable

The AFL-F08A comes with the true multi-touch applications in support of the Microsoft Windows 7 operating system. Windows 7 features improved touch and gesture support. With Windows 7, handwriting recognition is faster, more accurate, and supports more languages



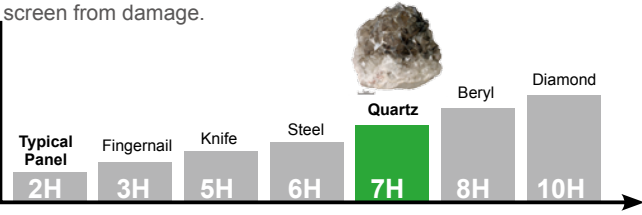
Intuitive multi-touch display



1
Automation
Panel
Solutions

● **7H Anti-scratch Surface**

Projected Capacitive touch technology utilizes a durable glass front surface. 7H hardness is stronger than the conventional touch panel and therefore is able to protect the screen from damage.



MOH's Hardness Rating

● **AR/AG Optical Coating**

Special AR coating (anti-reflection) and AG coating (anti-glare) on the touch panel are engineered to reduce reflection and increase transmission of light to produce a better image.

Reduced reflected light

No image distortion



● **Multimedia Hardware Device Ready**

Integrated webcam on the Panel PC, including a native 300K pixel; low-light function, and 30fps at VGA, is best suited for small-to-medium sized meetings and conferences held in facilities like local government councils, hotel conference rooms, training and educational venues and company boardrooms without external device installation.



- VGA CMOS Camera**
- Auto white balance
 - Auto exposure
 - Auto compensation
 - Focus range of 25 cm to Infinity
 - Flip Control Option

Webcam Specifications

- VGA resolution image sensor
- Video resolution: 640x480, 352x288, 320x240, 176x144, 160x120.
- Frame rate: 640x480@ 30fps max.
- Storage Format of Image: AVI
- Storage Format of Photograph: BMP, JPEG

2
All-in-One
Touch POS

3
Digital
Signage

4
Video Wall
Controller

5
RISC-based
Solutions

6
PACSmate
Medical

7
Optional
Peripherals

Picture Frame In-Wall Mount

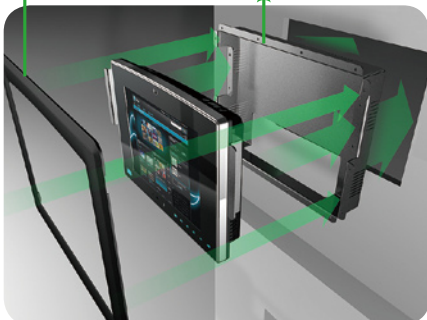
This optional kit includes a decorative front plate and wall mount enclosure to securely house the the AFL-F08A panel PC. The enclosure includes knockouts for power and I/O interface cables.



3.7mm

Decorative front plate

In-Wall Enclosure

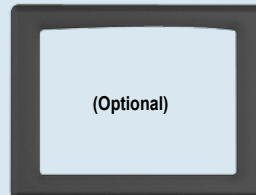


● **Optional Decorative Kit:**

DIM.
300mm x 230mm x 3.7mm



+



(Optional)

=



Restaurant Interactive Multi-touch Table

Applications



The AFL-F08A interactive system can be mounted in tables from which your customers can order, track and pay for their meal. The terminals can also be used to play digital games while waiting for the food to be served.



Casino Customer Relationship Management

Applications



The user friendly all-in-one system will help Casino managers and dealers to identify players, calculate, and record winnings. Easy connection to peripherals such as card readers and ticket reader/printers. Convenient and reliable communication with system management and servers through LAN or Wireless LAN.



OS Ready for Applications

Windows® CE based Terminal easy for Application Development

Windows Applications



Note: OS image only support single touch

Application Development Support

- Win32 (C/C++)
- MFC (C++)
- NET Compact Framework (C# and VB .NET)
- ATL (Active Template Library)
- COM and DCOM
- XML
- JScript 5.6

Networking

- Standard Modem Support for Dial Up
- Networking
- Network Utilities (IpConfig, Ping, Route)
- TCP/IP, TCP/IPV6
- Windows Networking API/Redirector (SMB/CIFS)
- Winsock Support
- FTP Server, Web Server (HTTPD), Telnet Server

Windows® XP Embedded



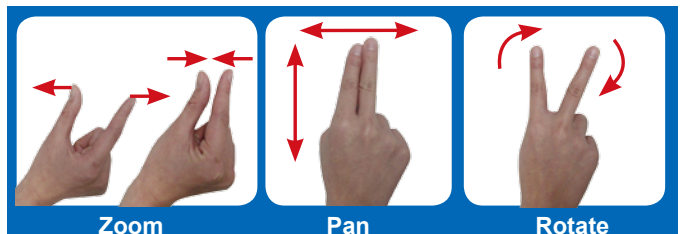
- Include:
- Window XPE OS image with license
 - Thin Client turnkey solutions



Windows® 7 Embedded

Multi-touch Scenarios:

- Navigating the internet
- Reading and sorting email
- Viewing photos and video
- Playing casual games
- Navigating and arranging files, folders and windows.



1 Automation Panel Solutions

2 All-in-One Touch POS

3 Digital Signage

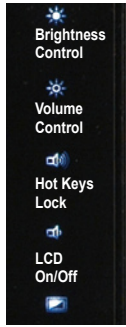
4 Video Wall Controller

5 RISC-based Solutions

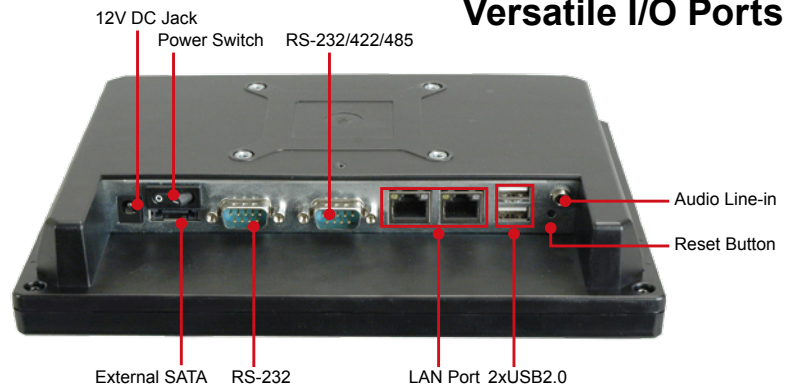
6 PACSmate Medical

7 Optional Peripherals

Hot Keys Controlled by Cap-Sensor



Versatile I/O Ports



1
Automation Panel Solutions

2
All-in-One Touch POS

3
Digital Signage

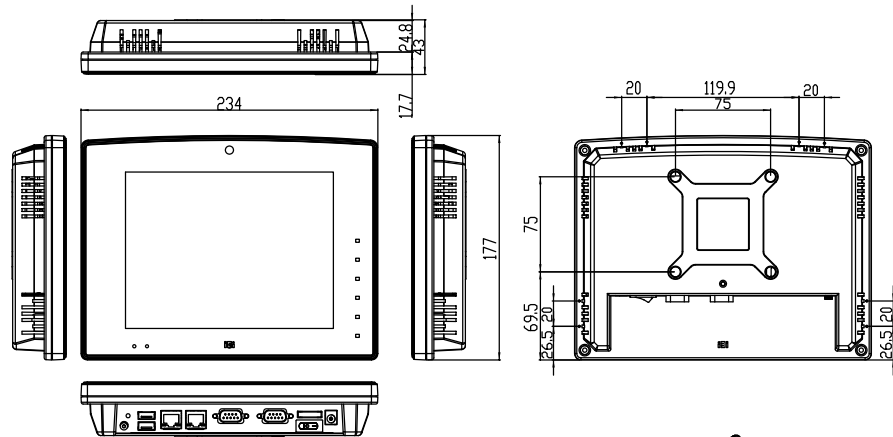
4
Video Wall Controller

5
RISC-based Solutions

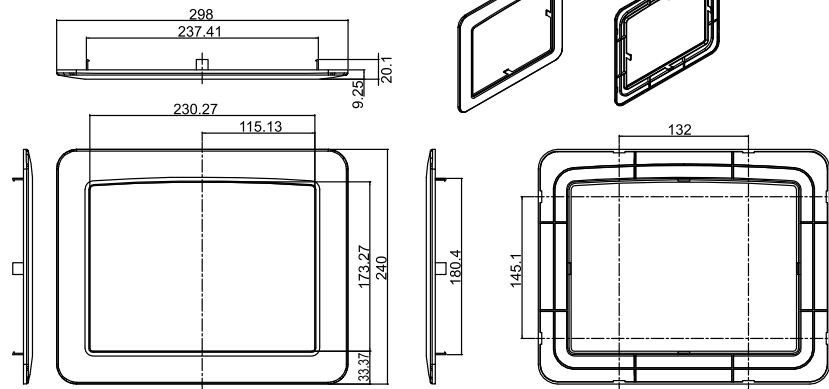
6
PACSmate Medical

7
Optional Peripherals

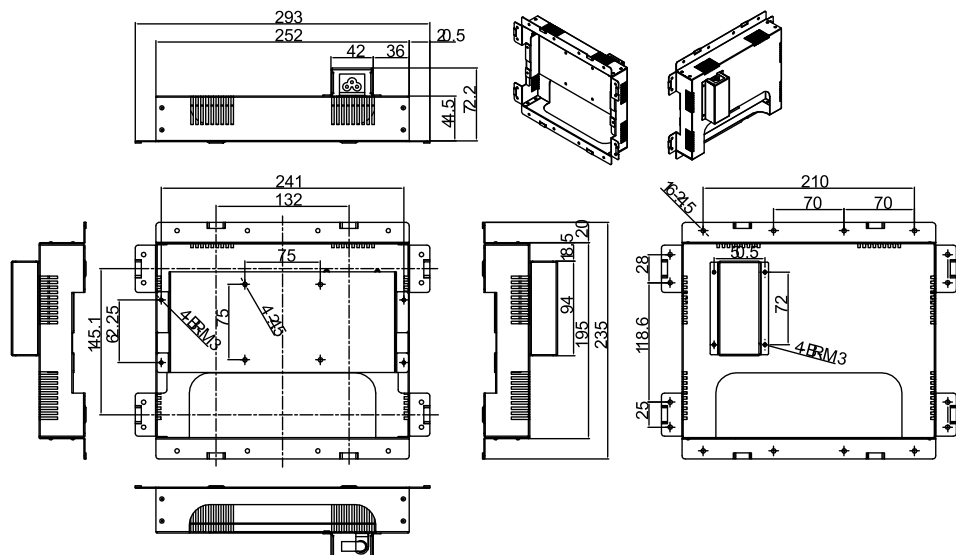
AFL-F08A Dimensions (Unit: mm)



Decoration Kit Dimensions (Unit: mm)



In-Wall Cage Dimensions (Unit: mm)



Specifications



Model	AFL-F08A-N270
LCD Size	8"
Max Resolution	800 x 600
Brightness (cd/m ²)	250
Contrast Ratio	500:1
LCD Color	262K
Pixel Pitch (mm)	0.2025(H) x 0.2025(V)
Viewing Angle (H-V)	140° / 130°
Backlight MTBF	30000 hrs (LED)
SBC Model	AFLMB-945GSE-N270-R10
CPU	Intel® Atom™ Processor N270 (512K Cache, 1.60 GHz, 533 MHz FSB)
Chipset	Intel® 945GSE + ICH7M
RAM	Supports one 400MHz or 533MHz DDR2 SO-DIMM (2GB Max.)
I/O Ports	1 x RS-232 COM Port 1 x RS-232/422/485 COM port 2 x RJ-45 for Giga LAN 2 x USB 2.0 1 x Power Switch 1 x Reset Button 1 x Audio Port (line-out) 1 x 12V DC Power Jack 1 x External SATA
SSD	CF Typell
Watchdog Timer	Software programmable supports 1~255 sec. System reset
Audio	AMP 1.5W + 1.5W (internal speaker)
Expansion	1 x Wireless Lan 802.11 b/g Module (internal Mini PCIe interface) 1 x Bluetooth V2.0 (internal USB interface) 300k pixel webcam
Front Panel Construction	ABS + PC Plastic front frame
Membrane Keypad	LCD On/Off, Brightness Up/Down, Volume High/Low by Cap-Sensor
Mounting	In-Wall, Panel, Wall, Stand and Arm VESA 75mm x 75mm
Front Panel Color	Black
Dimensions (WxHxD) (mm)	234 x 177 x 43
Operation Temperature (°C)	-10°C ~ 50°C
Storage Temperature (°C)	-20°C ~ 60°C
N/G Weight	1.8Kg
IP Level	IP64 Front Panel
Safety & EMC	CE / FCC / CB / CCC
Touch Screen	Resistive Type 5-Wire (Touch controller IC is on board) or Projective Capacitive type touch screen
Power Adapter	63000-FSP0401ADF03A822-RS 40W Power Adapter Input: 90VAC~264VAC, 50/60Hz Output: 12VDC
Power Requirement	12VDC
Power Consumption	32W

Note: WiFi 802.11 draft N is upgradable.

Ordering Information

	Part Number	Description
Resistive Touch Panel	AFL-F08A-N270/R/1G-R10	8.0" 250cd/m ² SVGA Fanless panel PC with Intel® Atom™ N270 1.6GHz CPU, 1GB DDR2 RAM, 802.11 b/g WiFi, touch screen, Bluetooth, 300k camera, microphone, RoHS
Projected Capacitive Multi-Touch Panel	AFL-F08A-N270/PC/1G-R10	8.0" 250cd/m ² SVGA Fanless panel PC with Intel® Atom™ N270 1.6GHz CPU, 1GB DDR2 RAM, 802.11 b/g WiFi, Projective capacitive Multi-Touch Panel screen, Bluetooth, 300k camera, microphone, RoHS

Options

Item	Model
Panel mounting kit	AFLPK-12
Wall mounting kit	AFLWK-12
Rack mounting kit	AFLRK-08
ARM	ARM-11-RS / ARM-31-RS
Stand	STAND-A08 / STAND-100-RS
VSTAND	VSTAND-A10
9~30VDC to 12VDC converter module	IDD-930160-KIT
OS: Win CE 6.0 (128 MB CF card)	AFLCF-F08-N270-CE060-R10
OS: Win XPE (1 GB CF card)	AFLCF-F08-N270-XPE-R10
OS: LINUX (2 GB CF card)	AFLCF-F08-N270-LNX-R10
Hybrid Card Reader	AFLP-08AMSI-U
Magnetic Stripe Reader	AFLP-08AMSR-U
DC 12V Input UPS	AUPS-A10-R10 (7.4V 3800mAh)
DC 9~36V Input UPS	AUPS-A20-R10 (7.4V 3800mAh)
In Wall Cage	AFLIWC-F08A-R10

Note: OS image only support single touch

Packing List

Item	Part Number	Q'ty	Specification
Screws Pack	44013-030041-RS	4	M3;5mm
Power Adpater	63000-FSP036RAB608-RS	1	90~264V AC; 12V DC; 36W
Power Cord	32000-000002-RS	1	1750mm; European Standard (EU or US. Which type of cord is shipped depends on the shipment country)
Utilities CD	7B000-000087-RS	1	
Touch Pen	XTR104-0002-RS	1	

1
Automation
Panel
Solutions

2
All-in-One
Touch POS

3
Digital
Signage

4
Video Wall
Controller

5
RISC-
based
Solutions

6
PACSmate
Medical

7
Optional
Peripherals

8" SVGA AFOLUX PPC

AFL-08B-N270

Intel® Atom™ Processor N270 1.60 GHz

1
Automation
Panel
Solutions

2
All-in-One
Touch POS

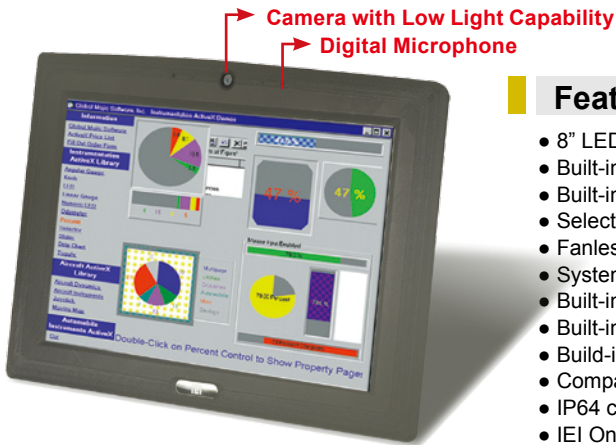
3
Digital
Signage

4
Video Wall
Controller

5
RISC-
based
Solutions

6
PACSmate
Medical

7
Optional
Peripherals



Camera with Low Light Capability
Digital Microphone



Features

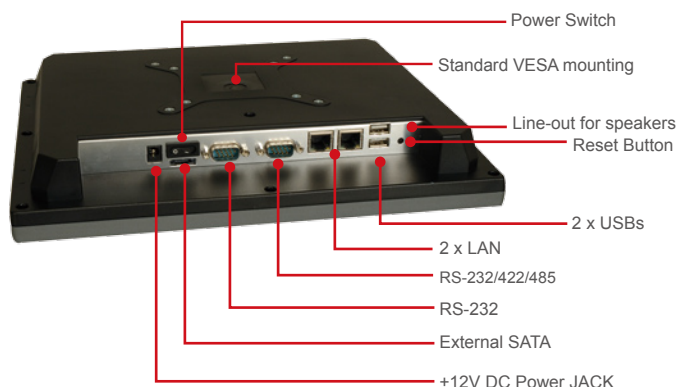
- 8" LED backlight LCD panel with resistive touchscreen
- Built-in 300K pixel camera with low light capability
- Built-in digital microphone
- Selectable AT/ATX power mode via internal switch
- Fanless cooling system
- System memory up to 2 GB SDRAM
- Built-in 802.11b/g Wireless LAN
- Built-in Bluetooth module
- Built-in Two 1.5 W speakers
- CompactFlash® Type II
- IP64 compliant front panel
- IEI One Key Recovery solution allows you to create rapid OS backup and recovery (Suggest over 4GB storage capacity)



Specifications

Model	AFL-08B-N270-R10
LCD Size	8"
Max Resolution	800 x 600
Brightness (cd/m ²)	300
Contrast Ratio	400 : 1
LCD Color	262K
Pixel Pitch (mm)	0.0675 (H) x 0.2025 (V)
Viewing Angle (H-V)	130° / 120°
Backlight MTBF	30000 hrs (LED backlight)
SBC Model	AFLMB-945GSE-N270-R10
CPU	Intel® Atom™ Processor N270 (512K Cache, 1.60 GHz, 533 MHz FSB)
Chipset	Intel® 945GSE + ICH7M
RAM	Supports one 400MHz or 533MHz DDR2 SO-DIMM (2GB Max.)
I/O Ports	1 x RS-232 COM Port 1 x RS-232/422/485 COM port 2 x RJ-45 for Giga LAN 2 x USB 2.0 1 x Power Switch 1 x Reset Button 1 x External SATA 1 x Audio Port 1 x Power Jack
SSD	CF Type II
Watchdog Timer	Software programmable supports 1~255 sec. System reset
Audio	AMP 1.5W + 1.5W (internal speakers)
Camera Module	300K pixel camera with Digital Microphone
Expansion	1 x Wireless Lan 802.11 b/g Module (internal PCIe mini card interface) 1 x Bluetooth module (internal USB interface, Bluetooth V2.0)
Construction Front Panel	ABS + PC Plastic front frame
LED Function	1 x Power ON/OFF LED on Front Panel
Mounting	Panel, Wall, Rack, Stand and Arm VESA 75mm x 75mm
Front Panel Color	Gray 7539U
Dimension (WxHxD) (mm)	234 x 177 x 43
Operation Temperature (°C)	-10°C ~50°C
Storage Temperature (°C)	-20°C ~60°C
N/G Weight	0.8 Kg
IP Level	IP64 Front Panel
Safety & EMC	CE / FCC / CB / CCC
Touch Screen	Resistive Type 5-Wire (Touch controller IC is on board)
Power Adapter	P/N: 63000-FSP0361AD101C941-RS 36W Power Adapter Input: 90VAC~264VAC, 50/60Hz Output: 12VDC
Power Requirement	12VDC
Power Consumption	25W

Fully Integrated I/O



LED-backlight PPC Delivers Vivid Images

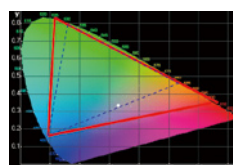
AFL-08B-N270 is the first panel PC of its compact size to incorporate an LED backlight - being better than previous CCFL illumination for the viewing and editing of pictures.

LED backlighting PPC displays clear and vivid pictures!

Enhancement of picture image quality on LCD screen

- Wider color gamut
- More even screen illumination
- Longer display life
- Low temperature operation and greater power efficiency

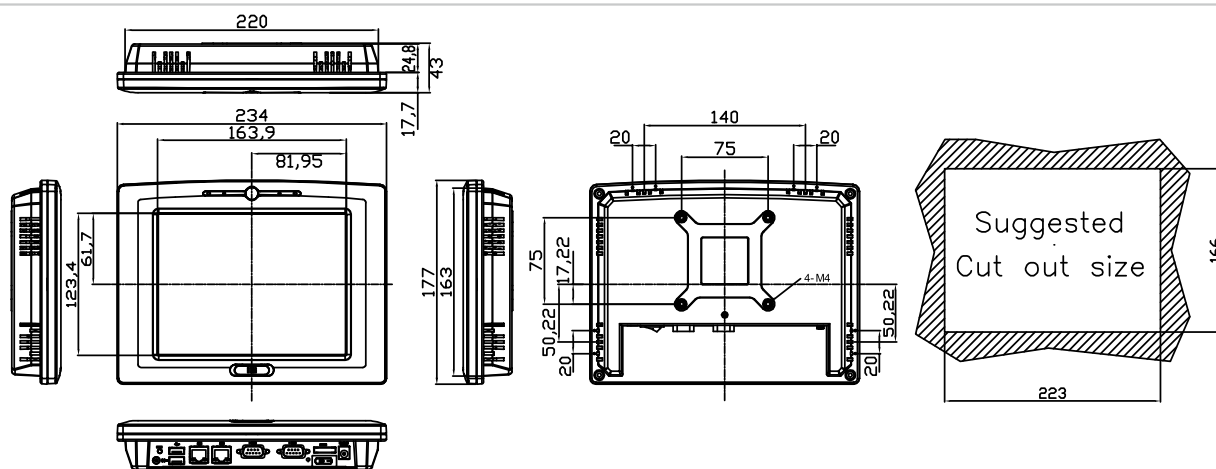
Color Gamut Comparison



— LED
- - - Normal CCFL

Thus LED backlight for LCD enables seeing the color on LCD screen as we see the colors in nature.

Dimensions (Unit: mm)



Ordering Information

Part Number	Description
AFL-08B-N270/WT-R/1GB-R10	8" 300 cd/m ² , SVGA fanless panel PC with Intel® Atom™ N270 1.6GHz, 802.11b/g wireless module, bluetooth module, touch screen, 300K pixel Camera with Digital Microphone, 1GB DDR2 533MHz, RoHS

Note: WiFi 802.11 draft N is upgradable.

Options

Panel mounting kit	AFLPK-12
Wall mounting kit	AFLWK-12
Rack mounting kit	AFLRK-08
ARM	ARM-11-RS / ARM-31-RS
Stand	STAND-A08 / STAND-100-RS
VSTAND	VSTAND-A10
9~30VDC to 12VDC converter module	IDD-930160-KIT
OS: Win CE 6.0 (128 MB CF card)	AFLCF-08-N270-CE060-R10
OS: Win XPE(1 GB CF card)	AFLCF-08-N270-XPE-R10
OS: LINUX(2 GB CF card)	AFLCF-08-N270-LNX-R10
Hybrid Card Reader	AFLP-08BMSI-U
Magnetic Stripe Reader	AFLP-08BMSR-U
DC 12V Input UPS	AUPS-A10-R10 (7.4V 3800mAH)
DC 9~36V Input UPS	AUPS-A20-R10 (7.4V 3800mAH)

Note: Win CE application without digital microphone function

ISMM Support Functions

	Voltage	Fan	Smart Fan	Temperature	WDT	Cash Drawer
AFL-08B-N270	V			V	V	

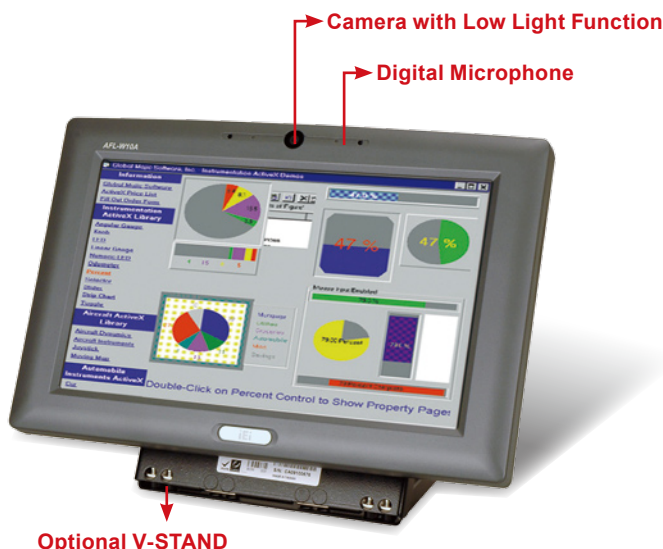
Packing List

Item	Part Number	Q'ty	Specification
Screws Pack	44013-030041-RS	4	M3;5mm
Power Adpater	63000-FSP0361AD101C941-RS	1	90~264V AC; 12V DC; 36W
Power Cord	32000-000002-RS	1	1750mm (EU or US, Which type of cord is shipped depends on the shipment country)
Utilities CD	7B000-000087-RS	1	
Touch Pen	XTR104-0002-RS	1	

Wide 10.2" WSVGA AFOLUX PPC

AFL-W10A-N270

Intel® Atom™ N270 1.6G Processor



New Wide Screen

Features



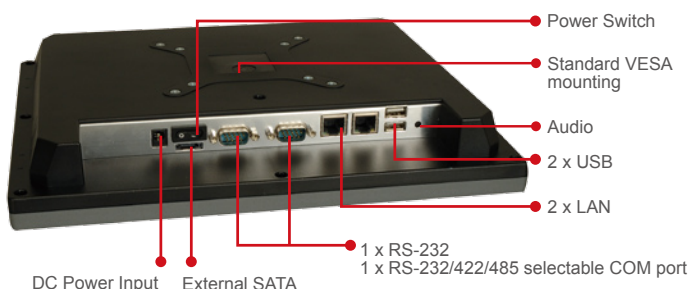
- Wide 10.2" TFT LCD with resistive touch screen
- Fanless cooling system
- Built-in 300K pixel camera with digital microphone module
- Selectable AT/ATX power mode through the switch on the chassis inside
- System memory up to 2 GB SDRAM
- Built-in 802.11b/g Wireless LAN
- Built-in Bluetooth module
- Built-in two 1.5 W speakers
- One compact flash slot
- IP 64 compliant front panel
- IEI One Key Recovery solution allows you to create rapid OS backup and recovery (Suggest over 4GB storage capacity)



Specifications

Model	AFL-W10A-N270
LCD Size	10.2"
Max Resolution	1024 x 600
Brightness (cd/m ²)	400
Contrast Ratio	400: 1
LCD Color	262K
Pixel Pitch (mm)	0.2175 mm (H) x 0.2175 mm (V)
Viewing Angle (H-V)	140° / 110°
Backlight MTBF	40000 hrs
SBC Model	AFLMB-945GSE-N270-R10
CPU	Intel® Atom™ process N270 1.6GHz CPU
Chipset	Intel® 945GSE + ICH7M
RAM	Supports one 400 MHz or 533MHz DDRII SO-DIMM (2GB Max.)
I/O Ports	1 x RS-232 COM Port 1 x RS-232/422/485 COM port 2 x RJ-45 for Giga LAN 2 x USB 2.0 1 x Power Switch 1 x Reset Button 1 x External SATA 1 x Audio Port 1 x Power Jack
SSD	CF TypeII
Watchdog Timer	Software programmable supports 1~255 sec. System reset
Audio	AMP 1.5W + 1.5W (internal speaker)
Camera Module	300K pixel with digital microphone
Expansion	1 x Wireless Lan 802.11 b/g Module (internal PCIe mini card interface) 1 x Bluetooth Function (internal USB interface, Bluetooth V2.0)
Construction Front Panel	ABS + PC Plastic front frame
LED Function	1 x Power ON/OFF LED on Front Panel
Mounting	Panel, Wall, Rack, Stand and Arm VESA 100mm x 100mm
Front Panel Color	Gray 7539U
Dimension (WxHxD) (mm)	280 x 186 x 49
Operation Temperature (°C)	-10°C ~50°C
Storage Temperature (°C)	-20°C ~ 60°C
N/G Weight	1.4 Kg
IP Level	Front Frame IP64
Safety & EMC	CE / FCC / CB / CCC
Touch Screen	Resistive Type 5-Wire (Touch controller IC is on board)
Power Adapter	P/N: 63000-FSP0481AD101C-RS 50W Power Adapter Input: 90VAC~264VAC, 50/60Hz Output: 12VDC
Power Requirement	12VDC
Power Consumption	28W

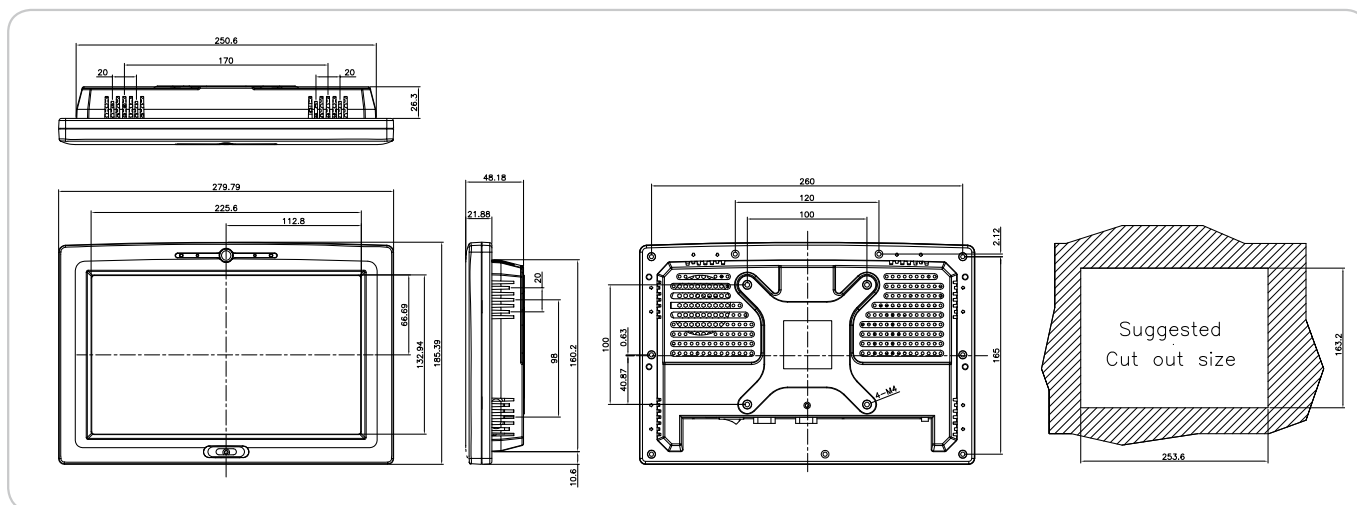
Fully Integrated I/O



Building Automation/Access Control System



Dimensions (Unit: mm)



Ordering Information

Part Number	Description
AFL-W10A-N270-WT-R/1GB-R10	10.2" 400 cd/m ² , WSVGA fanless panel PC with Intel® Atom™ N270 1.6GHz, 802.11b/g wireless module, bluetooth module, touch screen, 300K pixel camera with digital microphone, 1GB DDR2 533,RoHS

Note: WiFi 802.11 draft N is upgradable.

Options

Model	AFL-W10A-N270	
Panel mounting kit	AFLPK-12	
Wall mounting kit	AFLWK-12	
Rack mounting kit	AFLRK-W10	
ARM	ARM-11-RS / ARM-31-RS	
Stand	STAND-A12 / STAND-100-RS	
VSTAND	VSTAND-A10	
9~30VDC to 12VDC converter module	IDD-930160-KIT	
OS	Win CE 6.0 (128 MB CF card)	AFLCF-W10-N270-CE060
	Win XPE (1 GB CF card)	AFLCF-W10-N270-XPE
	LINUX (2 GB CF card)	AFLCF-W10-N270-LNX-R10
Hybrid Card Reader	AFLP-10AMSI-U	
Magnetic Stripe Reader	AFLP-10AMSR-U	
DC 12V Input UPS	AUPS-A10-R10 (7.4V 3800mAH)	
DC 9~36V Input UPS	AUPS-A20-R10 (7.4V 3800mAH)	

Note: Win CE application without digital microphone function

ISMM Support Functions

	Voltage	Fan	Smart Fan	Temperature	DIO	WDT	Beep	Cash Drawer
AFL-W10A-N270	V			V		V		

Packing List

Item	Part Number	Q'ty	Specification
Screws Pack	44013-030041-RS	4	M3; 5mm
Power Adpater	63000-FSP0481AD101C-RS	1	90~264V AC; 12V DC; 50W
Power Cord	32000-000002-RS	1	1750mm; European Standard (EU or US, Which type of cord is shipped depends on the shipment country)
Utilities CD	7B000-000087-RS	1	
Touch Pen	XTR104-0002-RS	1	

10.4" SVGA AFOLUX Panel PC

AFL-10A-LX

AMD Geode LX-800 500 MHz Processor

AFL-10A-N270

Intel® Atom™ Processor N270 1.6GHz Processor

1
Automation
Panel
Solutions

2
All-in-One
Touch POS

3
Digital
Signage

4
Video Wall
Controller

5
RISC-
based
Solutions

6
PACSmate
Medical

7
Optional
Peripherals



Features



- 10.4" TFT LED Backlight LCD with resistive touch screen
- Selectable AT/ATX power mode through the switch on the chassis inside
- Fanless cooling system
- System memory up to 2 GB SDRAM
- Built-in HSUPA module for mobile connection (Optional)
- 18V~30V wide range DC power input (Optional)
- One compact flash slot
- IP 64 compliant front panel
- IEI One Key Recovery solution allows you to create rapid OS backup and recovery (Suggest over 4GB storage capacity)

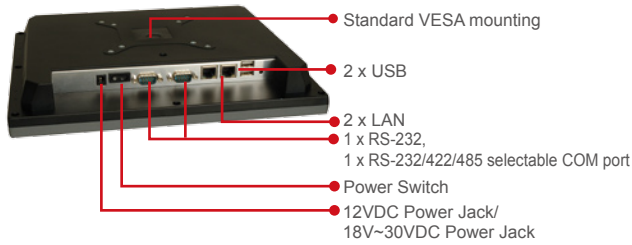


Specifications

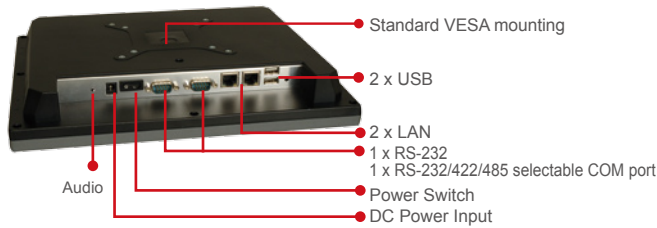
Model	AFL-10A-LX-R12 / AFL-10A-LX24V	AFL-10A-N270-R10
LCD Size	10.4"	
Max Resolution	800 x 600	
Brightness (cd/m ²)	400	
Contrast Ratio	700:1	
LCD Color	262K	
Pixel Pitch (mm)	0.264 (H) x 0.264 (V)	
Viewing Angle (H-V)	160° / 140°	
Backlight MTBF	50000 hrs	
SBC Model	AFLMB-LX-800	AFLMB-945GSE-N270-R10
CPU	AMD LX 800 (500MHz)	Intel® Atom™ process N270 1.6GHz CPU
Chipset	AMD LX 800 + AMD CS5536	Intel® 945GSE + ICH7M
RAM	Supports one 333MHz or 400MHz DDRII SO-DIMM (1GB Max.)	
I/O Ports	1 x RS-232 COM Port 1 x RS-232/422/485 COM port 2 x RJ-45 for 10/100Mbps LAN 2 x USB 2.0 1 x Power Switch 1 x Reset Button 1 x Power Jack 1 x Audio Port	1 x RS-232 COM Port 1 x RS-232/422/485 COM port 2 x RJ-45 for Giga LAN 2 x USB 2.0 1 x Power Switch 1 x Reset Button 1 x External SATA 1 x Audio Port 1 x Power Jack
SSD	CF Typell	
Watchdog Timer	Software programmable supports 1~255 sec. System reset	
Audio	AMP 1.5W + 1.5W (internal speaker)	
Expansion	1 x Wireless Lan 802.11 b/g Module (internal Mini PCI interface) 1 x Bluetooth Function (internal USB interface, Bluetooth V2.0)	1 x Wireless Lan 802.11 b/g Module (internal PCIe mini card interface) 1 x Bluetooth Function (internal USB interface, Bluetooth V2.0)
Drive Bay	N/A	
Optional HSUPA Module (support GSM 850, EGSM 900, DCS 1800 & 1900)	1 x HSUPA Mobile Module (internal USB Interface)	1 x HSUPA Mobile Module (internal USB Interface)
Construction Front Panel	ABS + PC Plastic front frame	
LED Function	1 x Power ON/OFF LED on Front Panel	
Mounting	Panel, Wall, Rack, Stand and Arm VESA 75mm x 75mm / 100mm x 100mm	
Front Panel Color	Gray 7539U	
Dimension (WxHxD) (mm)	276 x 222 x 51	
Operation Temperature (°C)	0°C ~ 50°C	-10°C ~ 50°C
Storage Temperature (°C)	-20°C ~ 60°C	
N/G Weight	1.4 Kg	
IP Level	Front Frame IP64	
Safety & EMC	CE / FCC / CB / CCC	
Touch Screen	Resistive Type 5-Wire (Touch controller IC is on board)	
Power Adapter	P/N: 63000-FSP036RAB608-RS 36W Power Adapter Input: 90VAC~264VAC, 50/60Hz Output: 12VDC	P/N: 63000-FSP036RAB608-RS 36W Power Adapter Input: 90VAC~264VAC, 50/60Hz Output: 12VDC
Power Requirement	12VDC/18~30VDC	12VDC
Power Consumption	25W	28W

Fully Integrated I/O

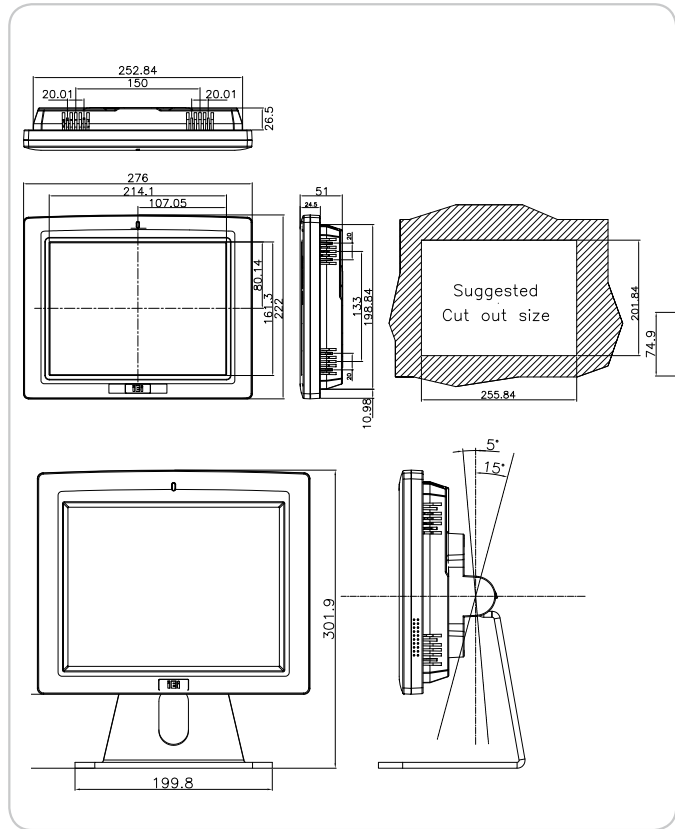
• AFL-10A-LX



• AFL-10A-N270



Dimensions (Unit: mm)



Ordering Information

Part Number	Description
AFL-10A-LX/R**(H)/256-R20	10.4" 400 cd/m ² , SVGA fanless panel PC with AMD LX-800 CPU, AT/ATX mode, 802.11b/g Wireless Module, Bluetooth Module, Touch screen and 256MB DDR RAM, R20, RoHS
AFL-10A-LX/R**(H)/512-R20	10.4" 400 cd/m ² , SVGA fanless panel PC with AMD LX-800 CPU, AT/ATX mode, 802.11b/g Wireless Module, Bluetooth Module, Touch screen and 512MB DDR RAM, R20, RoHS
AFL-10A-LX24V/R**(H)/256-R20	10.4" 400 cd/m ² , SVGA fanless panel PC with AMD LX-800 CPU, 18~30VDC input, AT/ATX mode, 802.11b/g Wireless Module, Bluetooth Module, Touch screen and 256MB DDR RAM, R20, RoHS
AFL-10A-LX24V/R**(H)/512-R20	10.4" 400 cd/m ² , SVGA fanless panel PC with AMD LX-800 CPU, 18~30VDC input, AT/ATX mode, 802.11b/g Wireless Module, Bluetooth Module, Touch screen and 512MB DDR RAM, R20, RoHS
AFL-10A-N270/R**(H)/1G-R20	10.4" 400cd/m ² SVGA fanless panel PC with Intel® Atom™ N270 1.6GHz, 802.11b/g wireless module, bluetooth module, touch screen, 1GB DDR2 533, R20, RoHS

Note: WiFi 802.11 draft N is upgradable.

Options

Model	AFL-10A-LX	AFL-10A-N270
Panel mounting kit	AFLPK-12	
Wall mounting kit	AFLWK-12	
Rack mounting kit	AFLRK-10	
ARM	ARM-11-RS / ARM-31-RS	
Stand	STAND-A12 / STAND-100-RS	
VSTAND	VSTAND-A10	
9~30VDC to 12VDC converter module	IDD-930160-KIT	
OS: Win CE 5.0 (128 MB CF card)	AFLCF-10-LX-CE-R11	N/A
OS: Win CE 6.0 (128 MB CF card)	AFLCF-10-LX-CE060-R11	AFLCF-10-N270-CE060-R10
OS: Win XPE (1 GB CF card)	AFLCF-10-LX-XPE-R11	AFLCF-10-N270-XPE-R10
OS: LINUX (2 GB CF card)	AFLCF-10-LX-LNX-R10	AFLCF-10-N270-LNX-R10
Hybrid Card Reader	AFLP-10AMSI-U	
Magnetic Stripe Reader	AFLP-10AMSR-U	
DC 12V Input UPS	AUPS-A10-R10 (7.4V 3800MAH)	
DC 9~36V Input UPS	AUPS-A20-R10 (7.4V 3800MAH)	

ISMM Support Functions

	Voltage	Fan	Smart Fan	Temperature	DIO	WDT	Cash Drawer
AFL-10A-LX	V			V		V	
AFL-10A-N270	V			V		V	

Packing List

Item	Part Number	Q'ty	Specification
Screws Pack	44013-030041-RS	4	M3;5mm
Power Adpater	63000-FSP036RAB608-RS	1	90~264V AC; 12V DC; 36W
Power Cord	32000-000002-RS	1	1750mm; European Standard
Utilities CD	7B000-000087-RS	1	
Touch Pen	XTR104-0002-RS	1	

Note: AFL-10A-LX24V model is without power adapter

12.1" XGA AFOLUX Panel PC

AFL-12A-LX

AMD Geode™ LX-800 500 MHz Processor

AFL-12B-LXPOS

AMD Geode™ LX-800 500 MHz Processor

AFL-12A-N270

Intel® Atom™ Processor N270 1.6GHz Processor



Features



- 12.1" TFT LED Backlight LCD with resistive touch screen
- Fanless cooling system
- 18V~30V wide range DC power input (Optional)
- Selectable AT/ATX power mode through the switch on the chassis inside
- Built-in HSUPA module for mobile connection (Optional)
- One compact flash slot
- IP 64 compliant front panel
- IEI One Key Recovery solution allows you to create rapid OS backup and recovery (Suggest over 4GB storage capacity)



Specifications

Model	AFL-12A-LX-R12 / AFL-12A-LX24V	AFL-12B(S)-LXPOS	AFL-12A-N270-R10
LCD Size	12.1"		
Max Resolution	1024 x 768	1024 x 768 or 800 x 600	1024 x 768
Brightness (cd/m ²)	500	500 / 450	500
Contrast Ratio	700 : 1	700 : 1	700 : 1
LCD Color	262K		
Pixel Pitch (mm)	0.240(H) x 0.240(V)		
Viewing Angle (H-V)	160° / 160°	160° / 160° or 160° / 140°	160° / 160°
Backlight MTBF	50000		
SBC Model	AFLMB-LX-800	AFLMB-LXPOS-R10	AFLMB-945GSE-N270-R10
CPU	AMD LX 800 (500MHz)		
Chipset	AMD LX 800 + AMD CS5536		
RAM	Supports one 333MHz or 400MHz DDR SO-DIMM (1GB Max.)		
I/O Ports	1 x RS-232 COM Port 1 x RS-232/422/485 COM port 2 x RJ-45 for 10/100Mbps LAN 2 x USB 2.0 1 x Power Switch 1 x Reset Button 1 x Power Jack 1 x Audio Port	2 x RS-232 COM Port (pin9 with RI, 5V or 12V switch selectable) 1 x RJ-45 for 10/100Mbps LAN 2 x USB 2.0 1 x Power Switch 1 x Reset Button 1 x RJ-12(12VDC) for Cash Drawer 1 x Power Jack	1 x RS-232 COM Port 1 x RS-232/422/485 COM port 2 x RJ-45 for Giga LAN 2 x USB 2.0 1 x Power Switch 1 x Reset Button 1 x External SATA 1 x Audio Port 1 x Power Jack
SSD	CF Typell		
Watchdog Timer	Software programmable supports 1~255 sec. System reset		
Audio	AMP 1.5W + 1.5W (internal speaker)		
Expansion	1 x Wireless Lan 802.11 b/g Module (internal Mini PCI interface) 1 x Bluetooth Function (internal USB interface, Bluetooth V2.0)	1 x Wireless Lan 802.11 b/g Module (internal Mini PCI interface)	1 x Wireless Lan 802.11 b/g Module (internal PCIe mini card interface) 1 x Bluetooth Function (internal USB interface, Bluetooth V2.0)
Drive Bay	1 x 2.5" IDE HDD bay or Optional HSUPA Module	1 x 2.5" IDE HDD bay	1 x 2.5" SATA HDD bay or Option HSUPA Module
Optional HSUPA Module (support GSM 850, EGSM 900, DCS 1800 & 1900)	1 x HSUPA Mobile Module (USB Interface)	N/A	1 x HSUPA Mobile Module (USB Interface)
Construction Front Panel	ABS + PC Plastic front frame		
LED Function	1 x LED on Front Panel for Power ON/OFF	1 x LED on Front Panel for Power ON/OFF 2 x LED on Rear cover for COM port 12V : RED / 5V : YELLOW / RI : GREEN	1 x Power ON/OFF LED on Front Panel
Mounting	Panel, Wall, Rack, Stand and Arm VESA 75mm x 75mm / 100mm x 100mm		
Front Panel Color	Gray 7539U		
Dimension (WxHxD) (mm)	304 x 246 x 50	304 x 246 x 56	304 x 246 x 50
Operation Temperature (°C)	0°C ~ 50°C	0°C ~ 50°C	0°C ~40°C with SATA HDD -10°C ~50°C with CF Card or SATA interface 2.5" SSD HDD
Storage Temperature (°C)	-20°C ~ 60°C		
N/G Weight	1.8 Kg		
IP Level	Front Frame IP64		
Safety & EMC	CE / FCC / CB / CCC		
Touch Screen	Resistive Type 5-Wire (Touch controller IC is on board) or Capacitive type touch screen without HDD bay		
Power Adapter	P/N: 63000-FSP036RAB608-RS 36W Power Adapter Input: 90VAC~264VAC, 50/60Hz Output: 12VDC	P/N: 63000-FSP050DBAB1405-RS 50W Power Adapter Input: 90VAC~264VAC, 50/60Hz Output: 12VDC	P/N: 63000-FSP050DBAB1405-RS 50W Power Adapter Input: 90VAC~264VAC, 50/60Hz Output: 12VDC
Power Requirement	12VDC/18~30VDC	12VDC	12VDC
Power Consumption	29W	29W	32W

1 Automation Panel Solutions

2 All-in-One Touch POS

3 Digital Signage

4 Video Wall Controller

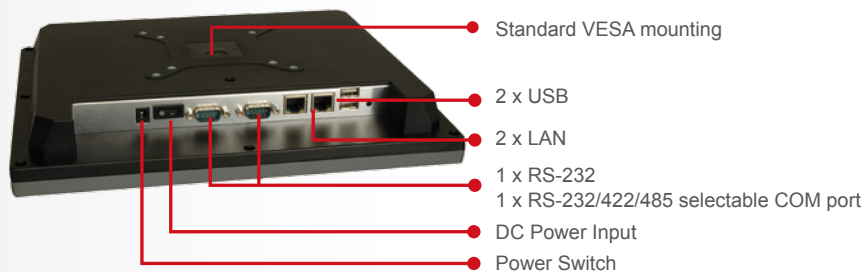
5 RISC-based Solutions

6 PACSmate Medical

7 Optional Peripherals

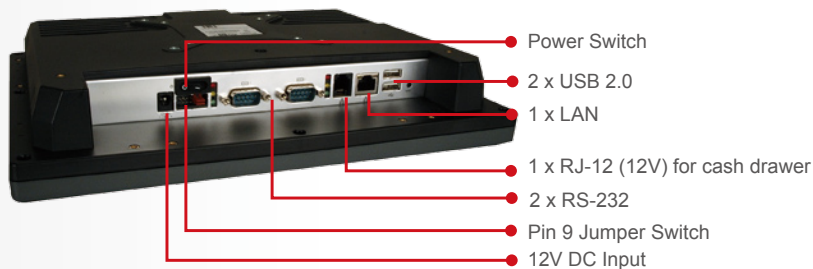
Fully Integrated I/O

• AFL-12A-LX

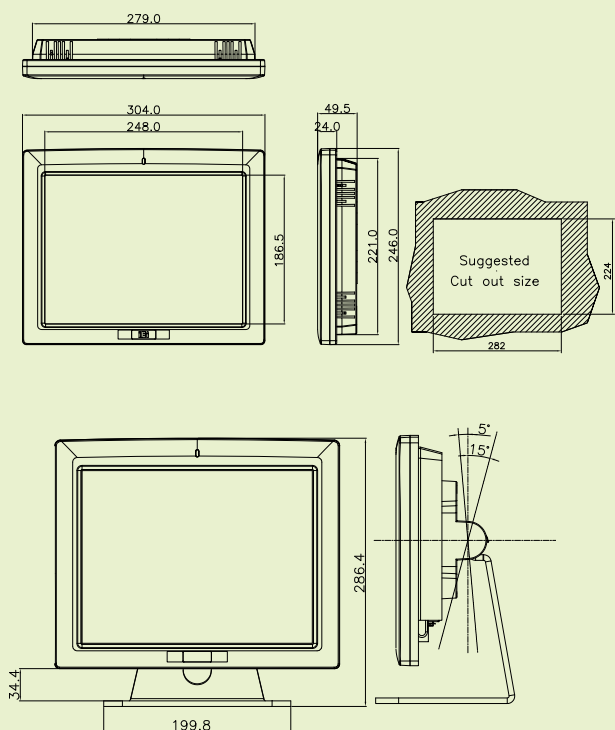


• AFL-12A-N270

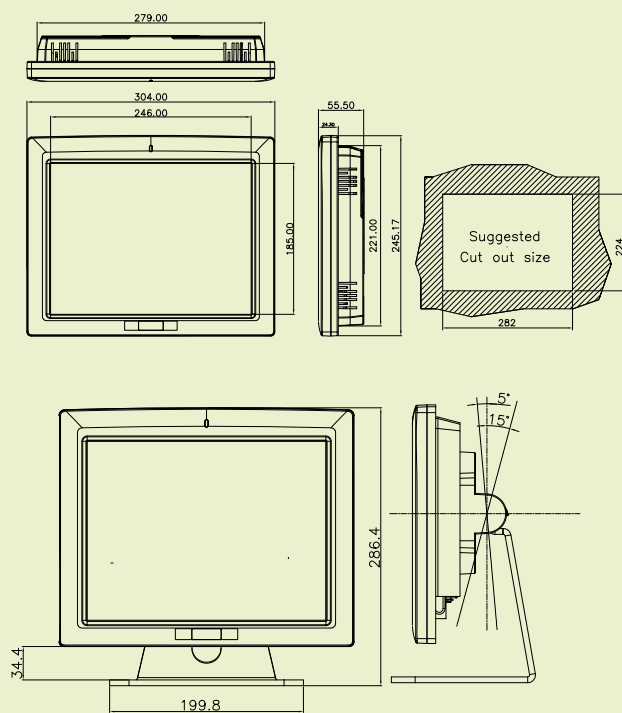
• AFL-12B-LXPOS



AFL-12A
Dimensions (Unit: mm)



AFL-12B
Dimensions (Unit: mm)



1
Automation
Panel
Solutions

2
All-in-One
Touch POS

3
Digital
Signage

4
Video Wall
Controller

5
RISC-
based
Solutions

6
PACSmate
Medical

7
Optional
Peripherals

Ordering Information

Part Number	Description
AFL-12A-LX/R**(H)/256-R20	12.1" 500 cd/m ² , XGA fanless panel PC with AMD LX-800 CPU, AT/ATX mode, 802.11b/g Wireless Module,Bluetooth Module,Touch screen and 256MB DDR RAM, R20, RoHS
AFL-12A-LX/R**(H)/512-R20 <i>18V~30VDC!</i>	12.1" 500 cd/m ² , XGA fanless panel PC with AMD LX-800 CPU, AT/ATX mode, 802.11b/g Wireless Module,Bluetooth Module,Touch screen and 512MB DDR RAM, R20, RoHS
AFL-12A-LX24V/R**(H)/256-R20 <i>18V~30VDC!</i>	12.1" 500 cd/m ² , XGA fanless panel PC with AMD LX-800 CPU, 18~30VDC input,AT/ATX mode, 802.11b/g Wireless Module, Bluetooth Module,Touch screen and 256MB DDR RAM, R20, RoHS
AFL-12A-LX24V/R**(H)/256-R20 <i>AFOLUX POS Solution!</i>	12.1" 500 cd/m ² , XGA fanless panel PC with AMD LX-800 CPU, 18~30VDC input,AT/ATX mode, 802.11b/g Wireless Module, Bluetooth Module,Touch screen and 512MB DDR RAM, R20, RoHS
AFL-12BS-LXPOS/R/256-R20 <i>AFOLUX POS Solution!</i>	12.1" 450 cd/m ² SVGA fanless PPC with AMD Geode LX 800 CPU,256MB DDR RAM,802.11 b/g wireless module and touch screen, without STAND, R20, RoHS
AFL-12BX-LXPOS/R/256-R20	12.1" 500 cd/m ² XGA fanless PPC with AMD Geode LX 800 CPU,256MB DDR RAM,802.11 b/g wireless module and touch screen, without STAND, R20, RoHS
AFL-12A-N270/R**(H)/1G-R20	12.1" 500 cd/m ² , XGA fanless panel PC with Intel® Atom™ N270 1.6GHz,802.11b/g wireless module, bluetooth module, touch screen, 1GB DDR2 533, R20, RoHS

Note 1 : WiFi 802.11 draft N is upgradable.
Note 2 : Capacitive type touch screen is upgradable.

Options

Model	AFL-12A-LX	AFL-12B-LXPOS	AFL-12A N270
Panel mounting kit		AFLPK-12	
Wall mounting kit		AFLWK-12	
Rack mounting kit		AFLRK-12	
ARM		ARM-11-RS / ARM-31-RS	
Stand		STAND-A12 / STAND-POS12 / STAND-100-RS	
VSTAND		VSTAND-A12	
9~30VDC to 12VDC converter module		IDD-930160-KIT	
OS: Win CE 5.0 (128 MB CF card)	AFLCF-12-LX-CE-R11	AFLCF-12-LXPOS-CE	N/A
OS: Win CE 6.0 (128 MB CF card)	AFLCF-12-LX-CE060-R11	AFLCF-12-LXPOS-CE060	AFLCF-12-N270-CE060-R10
OS: Win XPE (1 GB CF card)	AFLCF-12-LX-XPE-R11	AFLCF-12-LXPOS-XPE	AFLCF-12-N270-XPE-R10
OS: LINUX (2 GB CF card)	AFLCF-12-LX-LNX-R10	AFLCF-12-LXPOS-LNX-R10	AFLCF-12-N270-LNX-R10
Hybrid Card Reader		AFLP-12AMSI-U	
Magnetic Stripe Reader		AFLP-12AMSR-U	
DC 12V Input UPS		AUPS-A10-R10 (7.4V 3800mAh)	
DC 9~36V Input UPS		AUPS-A20-R10 (7.4V 3800mAh)	

ISMM Support Functions

	Voltage	Fan	Smart Fan	Temperature	DIO	WDT	Cash Drawer
AFL-12A-LX	V			V		V	
AFL-12B-LXPOS	V			V		V	V
AFL-12A-N270	V			V		V	

Packing List

Item	Part Number	Q'ty	Specification
Screws Pack	44013-030041-RS	4	M3;5mm
Power Adpater	63000-FSP036RAB608-RS 63000-FSP050DBAB1405-RS	1	90~264V AC; 12V DC; 36W (for LX) 90~264V AC; 12V DC; 50W (for LXPOS, N270)
Power Cord	32000-000002-RS	1	1750mm; European Standard
Utilities CD	7B000-000087-RS	1	
Touch Pen	XTR104-0002-RS	1	

Note: AFL-LX24V model is without power adapter

1
Automation Panel Solutions

2
All-in-One Touch POS

3
Digital Signage

4
Video Wall Controller

5
RISC-based Solutions

6
PACSmate Medical

7
Optional Peripherals

15" XGA AFOLUX Panel PC

AFL-15A(E)-LXPOS

AMD Geode™ LX-800 500 MHz Processor

AFL-15A(E)-N270

Intel® Atom™ Processor N270 1.6GHz Processor

AFL-15A(E)-915

Intel® Celeron® M 1GHz 512KB Processor



(Optional POS Stand)

Features

- 15" TFT LCD with resistive touch screen
- System memory up to 2 GB RAM
- Built-in 802.11b/g (802.11 b/g/n) Wireless LAN
- Built-in Bluetooth module
- Selectable AT/ATX power mode through the switch on the chassis inside
- Built-in two speakers
- Optional HSUPA module for mobile connection
- One compact flash slot
- IP 64 compliant front panel
- IEI One Key Recovery solution allows you to create rapid OS backup and recovery (Suggest over 4GB storage capacity)



Specifications

Fanless

Fanless

Fanless

Fanless

Model	AFL-15A(E)-LXPOS	AFL-15A(E)-N270-R10	AFL-15D(E)-N270-R10	AFL-15A(E)-915-R11
LCD Size	15"			
Max Resolution	1024 x 768			
Brightness (cd/m ²)	350 or 250			
Contrast Ratio	700:1 or 600:1			
LCD Color	262K or 16.7M			
Pixel Pitch (mm)	0.297(H) x 0.297(V)			
Viewing Angle (H-V)	140°/125° or 160°/160°			
Backlight MTBF	50000 or 40000 hrs			
SBC Model	AFLMB-LXPOS-R10	AFLMB2-945GSE-N270-R10		AFLMB-9152-R11
CPU	AMD LX 800 (500MHz)	Intel® Atom™ process N270 1.6GHz CPU		Intel® Celeron® M process 1Gz with 512KB L2 Cache processor CPU
Chipset	AMD LX 800 + AMD CS5536	Intel® 945GSE + ICH7M		Intel® 915 GME
RAM	Supports one 333MHz or 400MHz DDR SO-DIMM (1GB Max.)	Supports one 400MHz or 533MHz DDRII SO-DIMM (2GB Max.)		Supports two 400MHz or 533MHz DDRII SO-DIMM (2GB Max.)
I/O Ports	2 x RS-232 COM Port (pin9 with RI, 5V or 12V switch selectable) 1 x RJ-45 for 10/100Mbps LAN 2 x USB 2.0 1 x Power Switch 1 x Reset Button 1 x RJ-12(12VDC) for Cash Drawer 1 x Power Jack	1 x RS-232 COM Port 1 x RS-232/422/485 COM port 2 x RJ-45 for Giga LAN 4 x USB 2.0 1 x Power Switch 1 x Reset Button 1 x Audio Port (line-out) 1 x VGA Port 1 x Power Jack		1 x RS-232 COM Port 1 x RS-232/422/485 COM port 2 x RJ-45 for Giga LAN 4 x USB 2.0 1 x Power Switch 1 x Reset Button 1 x External SATA 1 x Audio Port (line-out) 1 x VGA Port 1 x Power Jack
SSD	CF Typell			
Watchdog Timer	Software programmable supports 1~255 sec. System reset			
Audio	AMP 1.5W + 1.5W (internal speaker)			
Expansion	1 x Wireless Lan 802.11 b/g Module (internal Mini PCI interface)	1 x Wireless Lan 802.11 b/g Module (internal PCIe Mini interface) 1 x Bluetooth Function (internal USB interface, Bluetooth V2.0)		
HDD Drive Bay	1 x 2.5" IDE HDD bay	1 x 2.5" SATA HDD bay or Optional HSUPA module (USB interface)		1 x 2.5" SATA HDD bay or Optional HSUPA module (USB interface)
Optional HSUPA Module (support GSM 850, EGSM 900, DCS 1800 & 1900)	N/A			
ODD Drive Bay	N/A	N/A	1 x CD/DVD combo drive bay	N/A
Construction Front Panel	ABS + PC Plastic front frame			
LED Function	1 x LED on Front Panel for Power ON/OFF 2 x LED on Rear cover for COM port 12V : RED / 5V : YELLOW / RI : GREEN	1 x Power ON/OFF LED on Front Panel		
Mounting	Panel, Wall, Rack, Stand and Arm, VESA 100mm x 100mm			
Front Panel Color	Silver (877U) & Gray (ABSA2037)			
Dimension (WxHxD) (mm)	394 x 309 x 61			
Operation Temperature (°C)	0°C ~ 50°C	0°C ~40°C with SATA HDD -10°C ~50°C with CF Card or SATA interface 2.5" SSD HDD		0°C ~40°C With SATA HDD 0°C ~45°C With CF Card or SATA interface 2.5" SSD HDD
Storage Temperature (°C)	-20°C ~ 60°C			
N/G Weight	3.2 Kg			
IP Level	Front Frame IP64			
Safety & EMC	CE / FCC / CB / CCC			
Touch Screen	Resistive Type 5-Wire (Touch controller IC is on board) or Capacitive type touch screen without HDD bay			
Power Adapter	P/N: 63000-FSP0601AD101C-RS 60W Power Adapter Input: 90VAC~264VAC, 50/60Hz / Output: 12VDC	P/N: 63000-FSP0601AD101C746-RS 60W Power Adapter Input: 90VAC~264VAC, 50/60Hz / Output: 12VDC		P/N: 63000-FSP060DBAB1554-RS 60W Power Adapter Input: 90VAC~264VAC, 50/60Hz / Output: 12VDC
Power Requirement	12VDC			
Power Consumption	38W	49W		41W

1 Automation Panel Solutions

2 All-in-One Touch POS

3 Digital Signage

4 Video Wall Controller

5 RISC-based Solutions

6 PACSmate Medical

7 Optional Peripherals

15" XGA AFOLUX Panel PC

AFL-15B(E)-915

Intel® Pentium® M 2GHz (max.)

AFL-15C(E)-9652

Intel® Core™2 Duo T7500 2.2GHz processor (max.)

AFL-15C(E)-QM57

Intel® Core i7-620M 2.66GHz Processor (max.)



1
Automation
Panel
Solutions

2
All-in-One
Touch POS

3
Digital
Signage

4
Video Wall
Controller

5
RISC-
based
Solutions

6
PACsmate
Medical

7
Optional
Peripherals



(Optional Desktop Stand)



NEW Features in QM57 Platform :

- Powered by high performance 2.66 GHz Intel® Core i7-620M CPU with Intel® QM57 chipset
- DDR3 1066MHz system memory up to 4GB
- Support iAMT 6.0 for system remote control and monitoring
- HDMI port/DisplayPort delivers the high image quality on the second display
- IEI One Key Recovery solution allows you to create rapid OS backup and recovery (Suggest over 4GB storage capacity)



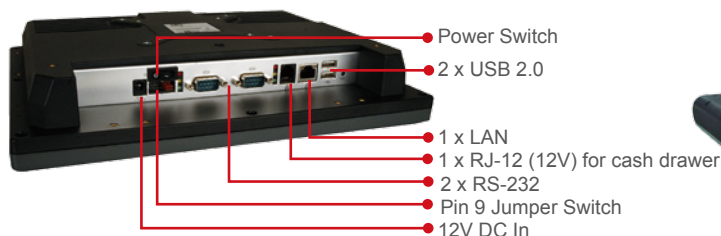
Specifications

Model	AFL-15B(E)-915-R11	AFL-15C(E)-9652	AFL-15C(E)-QM57
LCD Size	15"		
Max Resolution	1024 x 768		
Brightness (cd/m ²)	350 or 250		
Contrast Ratio	700:1 or 600:1		
LCD Color	262K or 16.7M		
Pixel Pitch (mm)	0.297(H) x 0.297(V)		
Viewing Angle (H-V)	140°/125° or 160°/160°		
Backlight MTBF	50000 hrs or 40000 hrs		
SBC Model	AFLMB-9152-R11	AFLMB-9652-R10	AFLMB2-QM57-R10
CPU	Intel® Pentium M process (up to 2.0GHz) processor CPU Intel® Celeron M process CPU	Intel® Celeron M550 2.0GHz CPU Intel® Core 2 Duo T7500 2.2GHz CPU	Socket G (PGA989) Intel® Arrandale processor
Chipset	Intel® 915 GME	Intel® GME965	Intel® Ibox Peak-M
RAM	Supports two 400MHz or 533MHz DDRII SO-DIMM(2GB Max.)	Supports two 400MHz DDRII SO-DIMM(4GB Max.)	Two 204-pin 800/1066 DDR3 dual-channel SODIMMs supported (system max. 4GB)
I/O Ports	1 x RS-232 COM Port 1 x RS-232/422/485 COM port 2 x RJ-45 for Giga LAN 4 x USB 2.0 1 x Power Switch 1 x Reset Button 1 x External SATA 1 x Audio Port (line-out) 1 x VGA Port 1 x Power Jack	1 x RS-232 COM Port 1 x RS-232/422/485 COM port 2 x RJ-45 for Giga LAN 4 x USB 2.0 1 x Power Switch 1 x Reset Button 1 x External SATA 1 x Audio Port (line-out) 1 x VGA Port 1 x Power Jack	1 x RS-232 COM Port 1 x RS-232/422/485 COM Port 2 x RJ-45 for Giga LAN 4 x USB 2.0 1 x Power Switch 1 x Reset Button 1 x Audio Port (Line-Out) 1 x VGA 1 x Power Jack 1 x HDMI Port 1 x Display Port 1 x MIC In
SSD	CF Typell		
Watchdog Timer	Software programmable supports 1~255 sec. System reset		
Audio	AMP 3W + 3W (internal speaker)		
Expansion	1 x Wireless Lan 802.11 b/g Module (internal Mini PCIe interface) 1 x Bluetooth Function (internal USB interface, Bluetooth V2.0)		1 x Wireless Lan 802.11 b/g/n Module (internal PCIe Mini card interface) 1 x Bluetooth Function (internal USB interface, Bluetooth V2.1+EDR)
Drive Bay	1 x 2.5" SATA HDD bay or 1 x HSUPA Mobile Module (USB Interface)		
Optional HSUPA Module (support GSM 850, EGSM 900, DCS 1800 & 1900)			
Construction Front Panel	ABS + PC Plastic front frame		
Membrane Keypad	N/A	LCD On/Off, Brightness Up/Down, Volume High/Low (5 keys)	
LED Function	1 x Power ON/OFF LED on Front Panel		
Mounting	Panel, Wall, Rack, Stand and Arm VESA 100mm x 100mm		
Front Panel Color	Silver (877U) & Gray (ABSA2037)		
Dimension (WxHxD) (mm)	394 x 309 x 75		394 x 309 x 75
Operation Temperature (°C)	0°C~45°C with CF card or SATA interface 2.5" SSD HDD 0°C~40°C with SATA 2.5" HDD		0°C~45°C with CF card or SATA interface 2.5" SSD HDD 0°C~40°C with SATA 2.5" HDD
Storage Temperature (°C)	-20°C ~ 60°C		
N/G Weight	5.8 Kg		
IP Level	Front Frame IP64		
Safety & EMC	CE / FCC / CB / CCC		
Touch Screen	Resistive Type 5-Wire (Touch controller IC is on board) or Capacitive type touch screen without HDD bay		
Power Adapter	P/N: 63000-FSP084DMBA1308-RS 84W Power Adapter Input: 90VAC~264VAC, 50/60Hz Output: 12VDC		P/N: 63000-FSP096AHB-RS 96W Power Adapter Input: 90VAC~264VAC, 50/60Hz Output: 12VDC
Power Requirement	12VDC		
Power Consumption	63W	69W (Intel® T7500, 2GB memory, 80G HDD)	85W

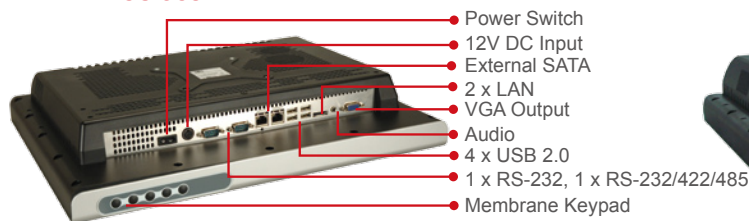


Fully Integrated I/O

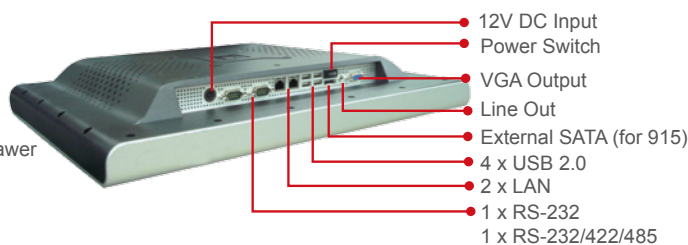
• AFL-15A-LXPOS



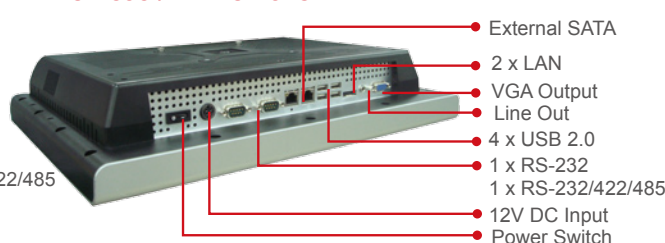
• AFL-15C-9652



• AFL-15A-915 / AFL-15A-N270



• AFL-15B-690 /AFL-15B-915



Ordering Information

• High Luminance (350 cd/m²)

Part Number	Description
AFL-15A-N270/R**(H)/1G-R20	15" 350cd/m ² XGA fanless panel PC with Intel® Atom™ N270 1.6GHz CPU, 1GB DDR2 RAM, 802.11 b/g wireless module, touch screen, Bluetooth, R20, RoHS
AFL-15A-LXPOS/WT-R/256MB-R20	15" 350cd/m ² XGA fanless panel PC with AMD Geode™ LX 800 CPU, 256MB DDR RAM, 802.11b/g wireless module, and touch screen, without STAND, R20
AFL-15A-915-10G/R/1G-R20	15" 350cd/m ² XGA fanless panel PC w/ Celeron M 1.0GHz 512K cache CPU, DDR2 RAM, 802.11 b/g wireless module, touch screen, Bluetooth, R20, RoHS
AFL-15B-915-PM16/R**(H)/1G-R20	15" 350cd/m ² XGA panel PC w/ Pentium® M 1.6GHz CPU, 1GB DDR2 RAM, 802.11 b/g wireless module, touch screen, Bluetooth, R20, RoHS
AFL-15B-915-CM37/R**(H)/1G-R20	15" 350cd/m ² XGA panel PC w/ Celeron® M 1.5GHz CPU, 1GB DDR2 RAM, 802.11 b/g wireless module, touch screen, Bluetooth, R20, RoHS
AFL-15C-9652-CM55/R**(H)/1G-R20	15" 350cd/m ² XGA panel PC with Celeron® M 550 2.0GHz CPU, 1GB DDR2 RAM, 802.11 b/g/n wireless module, touch screen, Bluetooth, RoHS
AFL-15C-9652-T75/R**(H)/2G-R20	15" 350cd/m ² XGA panel PC with Core™2 Dou T7500 2.2GHz CPU, 2GB DDR2 RAM, 802.11 b/g/n wireless module, touch screen, Bluetooth, R20, RoHS
AFL-15C-QM5715/R**(H)/2G-R10	15" 350cd/m ² XGA panel PC with Intel® Core™ i5-520M 2.4G CPU, 2GB DDR3 RAM, 802.11 b/g/n wireless module, touch screen, Bluetooth, R10, RoHS
AFL-15C-QM5717/R**(H)/2G-R10	15" 350cd/m ² XGA panel PC with Intel® Core™ i7-620M 2.66G CPU, 2GB DDR3 RAM, 802.11 b/g/n wireless module, touch screen, Bluetooth, R10, RoHS

• Regular Luminance (250 cd/m²)

Part Number	Description
AFL-15AE-N270/R**(H)/1G-R20	15" 250cd/m ² XGA fanless panel PC with Intel® Atom™ N270 1.6GHz CPU, 1GB DDR2 RAM, 802.11 b/g wireless module, touch screen, Bluetooth, R20, RoHS
AFL-15AE-LXPOS/R/256-R20	15" 250cd/m ² XGA fanless panel PC with AMD Geode™ LX 800 CPU, 256MB DDR RAM, 802.11b/g wireless module, and touch screen, without STAND, R20
AFL-15AE-915-10G/R/1G-R20	15" 250cd/m ² XGA fanless panel PC w/ Celeron M 1.0GHz 512K cache CPU, DDR2 RAM, 802.11 b/g wireless module, touch screen, Bluetooth, R20, RoHS
AFL-15BE-915-PM16/R**(H)/1G-R20	15" 250cd/m ² XGA panel PC w/ Pentium® M 1.6GHz CPU, 1GB DDR2 RAM, 802.11 b/g wireless module, touch screen, Bluetooth, R20, RoHS
AFL-15BE-915-CM37/R**(H)/1G-R20	15" 250cd/m ² XGA panel PC w/ Celeron® M 1.5GHz CPU, 1GB DDR2 RAM, 802.11 b/g wireless module, touch screen, Bluetooth, R20, RoHS
AFL-15CE-9652-CM55/R**(H)/1G-R20	15" 250cd/m ² XGA panel PC with Celeron® M 550 2.0GHz CPU, 1GB DDR2 RAM, 802.11 b/g/n wireless module, touch screen, Bluetooth, R20, RoHS
AFL-15CE-9652-T75/R**(H)/2G-R20	15" 250cd/m ² XGA panel PC with Core™2 Dou T7500 2.2GHz CPU, 2GB DDR2 RAM, 802.11 b/g/n wireless module, touch screen, Bluetooth, R20, RoHS
AFL-15CE-QM5715/R**(H)/2G-R10	15" 250cd/m ² XGA panel PC with Intel® Core™ i5-520M 2.4G CPU, 2GB DDR3 RAM, 802.11 b/g/n wireless module, touch screen, Bluetooth, R10, RoHS
AFL-15CE-QM5717/R**(H)/2G-R10	15" 250cd/m ² XGA panel PC with Intel® Core™ i7-620M 2.66G CPU, 2GB DDR3 RAM, 802.11 b/g/n wireless module, touch screen, Bluetooth, R10, RoHS

Note 1: WiFi 802.11 draft N is upgradable.
 Note 2: AFL-15D(E)-N270 make to project base order

ISMM Support Functions

	Voltage	Fan	Smart Fan	Temperature	WDT	Cash Drawer
AFL-15C(E)-QM57	V	V	V	V	V	
AFL-15A(B)-915	V	V	V	V	V	
AFL-15C(E)-9652	V	V	V	V	V	
AFL-15A(E)-LXPOS	V			V	V	V
AFL-15A(E)-N270	V			V	V	

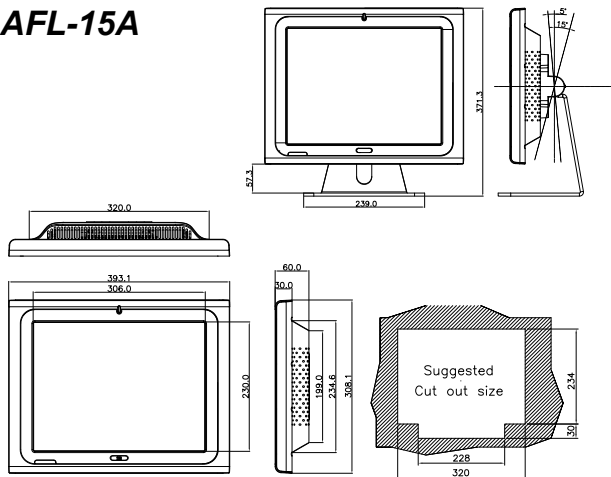
1 Automation Panel Solutions
 2 All-in-One Touch POS
 3 Digital Signage

4 Video Wall Controller
 5 RISC-based Solutions

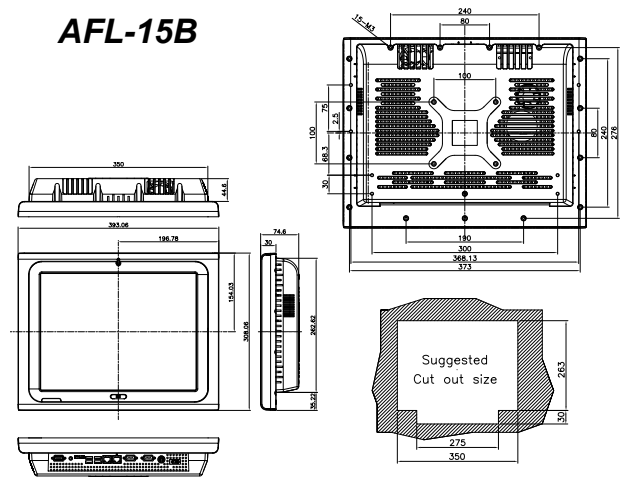
6 PACSmate Medical
 7 Optional Peripherals

Dimensions (Unit: mm)

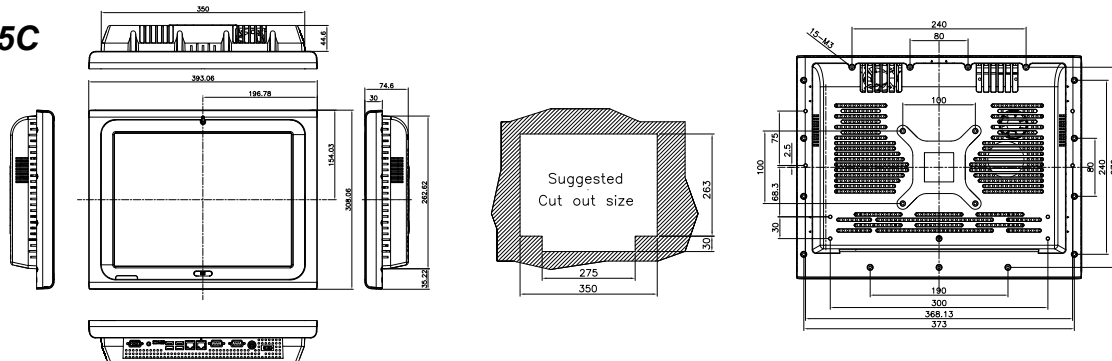
AFL-15A



AFL-15B



AFL-15C



Packing List

Item	Part Number	Q'ty	Specification
Screws Pack	44013-030041-RS	4	M3.5mm
Power Adpater	63000-FSP0601AD101C-RS 63000-FSP084DMBA1308-RS 63000-FSP096AHB-RS 63000-FSP0601AD101C746-RS	1	90~264V AC; 12V DC; 60W (15A(E)-LXPOS) 90~264V AC; 12V DC; 84W (15B-915) 90~264V AC; 12V DC; 96W (15C-9652) 90~264V AC; 12V DC; 60W (15A-915, 15A-N270)
Power Cord	32000-000002-RS	1	1750mm; European Standard
Utilities CD	7B000-000087-RS	1	
Touch Pen	XTR104-0002-RS	1	

Options

Model	AFL-15A(E)-LXPOS	AFL-15A(E)-N270	AFL-15A(E)-915	AFL-15B(E)-915	AFL-15C(E)-9652	AFL-15C(E)-QM57
Panel mounting kit	AFLPK-15			AFLPK-15B		
Wall mounting kit	AFLWK-19					
Rack mounting kit	AFLRK-15			AFLRK-15B		
ARM	ARM-11-RS / ARM-31-RS					
Stand	STAND-A19 / STAND-B19 / STAND-POS15 / STAND-210-R11					
OS: Win CE 5.0 (128 MB CF card)	AFLCF-15-LXPOS-CE	N/A	AFLCF-15-915-CE-R11		N/A	
OS: Win CE 6.0 (128 MB CF card)	AFLCF-15-LXPOS-CE060	AFLCF-15-N270-CE060-R10	AFLCF-15-915-CE060-R11		N/A	
OS: Win XPE (1 GB CF card)	AFLCF-15-LXPOS-XPE	AFLCF-15-N270-XPE-R10	AFLCF-15-915-XPE-R11		AFLCF-15-9652-XPE	AFLCF-15-QM57-XPE-R10
OS: LINUX (2 GB CF card)	AFLCF-15-LXPOS-LNX-R10	AFLCF-15-N270-LNX-R10	AFLCF-15-915-LNX-R10		AFLCF-15-9652-LNX-R10	AFLCF-15-QM57-LNX-R10
Hybrid Card Reader	AFLP-17AMSI-U					
Magnetic Stripe Reader	AFLP-17AMSR-U					
DC 12V Input UPS	AUPS-B10-R10 (14.8V 3800mAH)					
DC 9~36V Input UPS	AUPS-B20-R10 (14.8V 3800mAH)					

1 Automation Panel Solutions

2 All-in-One Touch POS

3 Digital Signage

4 Video Wall Controller

5 RISC-based Solutions

6 PACSmate Medical

7 Optional Peripherals

15" Wide 1366 x 768 AFOLUX Panel PC

AFL-W15A-N270

Intel® Atom™ Processor N270 1.6GHz Processor

AFL-W15A-GM45

Intel® Core™ 2 Duo T9400 2.53GHz Processor (max.)



Membrane Keypad for LCD On/Off, Brightness Down/Up, Volume Down/Up, Lock, Ambient Light Sensor On/Off Control



Ambient Light Sensor



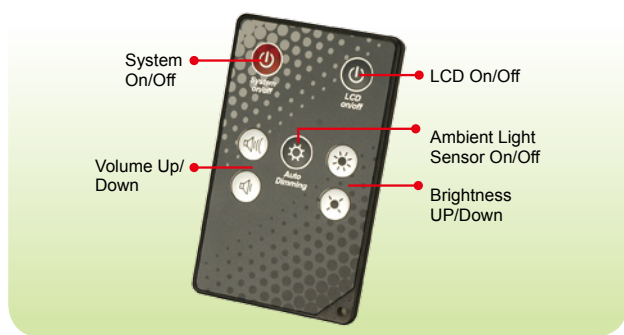
300K Pixel Camera (with Low Light function) and Digital Microphone



HDMI High-Definition Multimedia Interface (For GM45 Systems Only)



Infrared Remote Control



Features

- 15" wide screen all-in-one system with resistive touch panel
- WiFi 802.11 connection
- HDMI New High-Definition Multimedia Interface (For Intel® GM45 System)
- Built-in two speakers
- Built-in Bluetooth technology
- Built-in HSUPA module for mobile connection (Optional)
- Ambient Light Sensor detects ambient light for automated screen adjustments.
- VESA-mountable for flexibility in mounting and deployment
- Membrane keypad to control LCD backlight, panel brightness, speakers volume, ambient light sensor and lock the keypad functions
- Software system settings utility support
- Support for Windows CE, Windows XP Embedded and LINUX (Optional)
- IP 64 Front Panel Compliant
- IEI One Key Recovery solution allows you to create rapid OS backup and recovery (Suggest over 4GB storage capacity)

Ambient Light Sensor

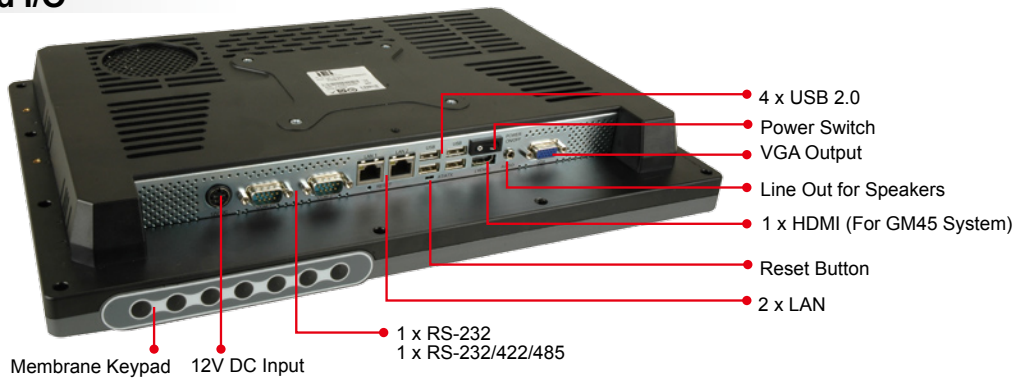
The AFL-W15A series built in the ambient light sensor in front of the panel to automatically detect the amount of light in the viewing environment and auto-adjusts the brightness of the screen.

Benefits:

- Avoid eye strained and tired, to provide comfortable viewing
- Power consumption saving
- Extend lamp lifetime



Fully Integrated I/O



Specifications



Model	AFL-W15A-N270-R10	AFL-W15A-N270-R10 / AFL-W15B-N270-R10	AFL-W15A-GM45-R10
LCD Size	15.6"		
Max Resolution	1366 x 768		
Brightness (cd/m ²)	250		
Contrast Ratio	500 : 1		
LCD Color	16.2M		
Pixel Pitch (mm)	0.252 (W) x 0.252 (H) mm		
Viewing Angle (H-V)	110° / 85°		
Backlight MTBF	50000 hrs		
SBC Model	AFLMB2-945GSE-N270-R10		AFLMB2-GM45-R10
CPU	Intel® Atom™ process N270 1.6GHz CPU		Intel® Celeron® M 575 2.0Ghz CPU Intel® Core™ 2 Duo P8400 2.26GHz CPU Intel® Core™ 2 Duo T9400 2.53GHz CPU
Chipset	Intel® 945GSE + ICH7M		Intel® GM45 Chipset + ICH9M
RAM	Supports one 400MHz or 533MHz DDRII SO-DIMM (2GB Max.)		Supports two 667MHz or 800MHz DDRII SO-DIMM (4GB max.)
I/O Ports	1 x RS-232 COM Port 1 x RS-232/422/485 COM port 2 x RJ-45 for Giga LAN 4 x USB 2.0 1 x Power Switch 1 x Reset Button 1 x Audio Port 1 x VGA Port 1 x Power Jack		1 x RS-232 COM Port 1 x RS-232/422/485 COM port 2 x RJ-45 for Giga LAN 4 x USB 2.0 1 x Power Switch 1 x Reset Button 1 x HDMI port 1 x Audio port 1 x VGA port 1 x Power Jack
SSD	CF Typell		
Watchdog Timer	Software programmable supports 1~255 sec. System reset		
Audio	AMP 3W + 3W(internal speaker)		
Camera Module	300K pixel camera (with low light function) and Digital Microphone		
Expansion	1 x Wireless Lan 802.11 b/g/n Module (internal PCIe mini card interface) 1 x Bluetooth Function (internal USB interface,Bluetooth V2.0)	1 x Wireless Lan 802.11 b/g/n Module (internal PCIe mini card interface) 1 x Bluetooth Function (internal USB interface, Bluetooth V2.0)	
CD-ROM	N/A		
HDD Drive Bay	1 x 2.5" SATA HDD bay or 1 x HSUPA Mobile Module (USB Interface)		
Optional HSUPA Module (support GSM 850, EGSM 900, DCS 1800 & 1900)			
ODD Drive Bay	N/A	1 x CD/DVD combo drive bay	N/A
Construction Front Panel	ABS + PC Plastic front frame		
Membrane Keypad	LCD On/Off, Brightness Down/Up, Volume Down/Up, Lock, Ambient Light Sensor On/Off (OSD Lock: Lock button+ ALS button) (7 keys)		
Infrared Remote Control	LCD On/Off, Brightness Up/Down, Volume Up/Down, System On/Off, Ambient Light Sensor On/Off		
Ambient Light Sensor	Yes		Yes
Mounting	Panel, Wall, Stand and Arm VESA 100mm x 100mm		
Front Panel Color	Gray 7539U		
Dimension (WxHxD) (mm)	400 x 273 x 62.9		
Operation Temperature (°C)	0°C ~40°C with SATA HDD -10°C ~50°C With CF Card or SATA interface 2.5" SSD HDD		0°C ~40°C with SATA HDD -10°C ~50°C With CF Card or SATA interface 2.5" SSD HDD
Storage Temperature (°C)	-20°C ~60°C		
N/G Weight	3.3 Kg		
IP Level	Front Frame IP64		
Safety & EMC	CE / FCC / CB / CCC		
Touch Screen	Resistive Type 5-Wire (Touch controller IC is on board)		
Power Adapter	P/N: 63000-FSP0601AD101C746-RS 60W Power Adapter Input: 90VAC~264VAC, 50/60Hz Output: 12VDC	P/N: 63000-FSP096AHB-RS 96W Power Adapter Input: 90VAC~264VAC,50/60Hz Output: 12VDC	
Power Requirement	12VDC		
Power Consumption	50W	90W	

1
Automation
Panel
Solutions

2
All-in-One
Touch POS

3
Digital
Signage

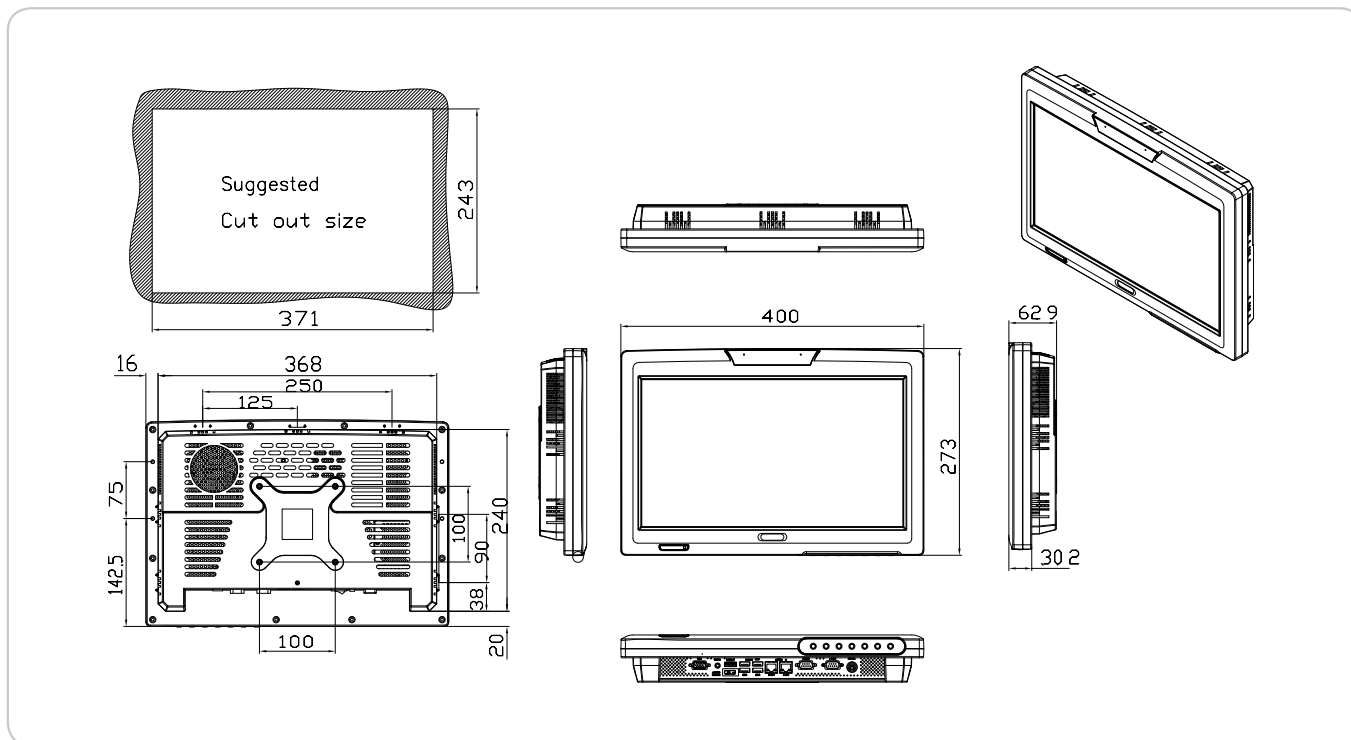
4
Video Wall
Controller

5
RISC-
based
Solutions

6
PACSmate
Medical

7
Optional
Peripherals

Dimensions (Unit: mm)



Ordering Information

Part Number	Description
AFL-W15A-N270/R**(H)/1G-R20	15.6" 250cd/m ² 1366x768 panel PC with Intel® Atom™ N270 1.6GHz CPU, 1GB DDR2 RAM, 802.11 b/g wireless module, touch screen, Bluetooth, 300K camera, microphone, R20, RoHS
AFL-W15A-GM45-CM5/R**(H)/1G-R20	15.6" 250cd/m ² 1366x768 panel PC with Celeron M 2.0GHz CPU, 1GB DDR2 RAM, 802.11 b/g/n WiFi, touch screen, Bluetooth, 300K camera, microphone, R20, RoHS
AFL-W15A-GM45-P84/R**(H)/2G-R20	15.6" 250cd/m ² 1366x768 panel PC with Core 2 Duo P8400 2.26GHz CPU, 2GB DDR2 RAM, 802.11 b/g/n WiFi, touch screen, Bluetooth, 300K camera, microphone, R20, RoHS
AFL-W15A-GM45-T94/R**(H)/2G-R20	15.6" 250cd/m ² 1366x768 panel PC with Core 2 Duo T9400 2.53GHz CPU, 2GB DDR2 RAM, 802.11 b/g/n WiFi, touch screen, Bluetooth, 300K camera, microphone, R20, RoHS

Note: WiFi 802.11 draft N is upgradable.

Note: AFL-W15B-N270 make to project base order

Options

Model	AFL-W15A-N270	AFL-W15A-GM45
Panel mounting kit	AFLPK-15B	
Wall mounting kit	AFLWK-19	
Rack mounting kit	AFLRK-W15	
ARM	ARM-11-RS / ARM-31-RS	
Stand	STAND-A19 / STAND-B19 / STAND-210-R11	
OS: Win CE 6.0 (128 MB CF card)	AFLCF-W15-N270-CE060-R10	N/A
OS: Win XPE (1 GB CF card)	AFLCF-W15-N270-XPE-R10	AFLCF-W15-GM45-XPE-R10
OS: Win LINUX (2 GB CF card)	AFLCF-W15-N270-LNX-R10	AFLCF-W15-GM45-LNX-R10
Hybrid Card Reader	AFLP-W15AMSI-U	
Magnetic Stripe Reader	AFLP-W15AMSR-U	
DC 12V Input UPS	AUPS-B10-R10 (VESA 100, DC 12V input, 12V output 100W UPS module with 3800mAh)	
DC 9~36V Input UPS	AUPS-B20-R10 (VESA 100, DC 9~36V input, 12V output 100W UPS module with 3800mAh)	

Note: Win CE application without digital microphone function

Packing List

Item	Part Number	Q'ty	Specification
Screws Pack	44013-030041-RS	4	M3;5mm
Power Adapter	63000-FSP096AHB-RS	1	90~264V AC; 12V DC; 96W (W15A-GM45)
	63000-FSP0601AD101C746-RS		90~264V AC; 12V DC; 60W (W15A-N270)
Power Cord	32000-000002-RS	1	1750mm; (EU or US, Which type of cord is shipped depends on the country)
Utilities CD	7B000-000087-RS	1	
Touch Pen	XTR104-0002-RS	1	

ISMM Support Functions

	Voltage	Fan	Smart Fan	Temperature	WDT	Cash Drawer
AFL-W15A-N270	V			V	V	
AFL-W15A-GM45	V	V	V	V	V	

1
Automation
Panel
Solutions

2
All-in-One
Touch POS

3
Digital
Signage

4
Video Wall
Controller

5
RISC-
based
Solutions

6
PACSmate
Medical

7
Optional
Peripherals

17" SXGA AFOLUX Panel PC

AFL-17A-915

Intel® Celeron® M 1.0GHz with 512KB L2 cache Processor

AFL-17B-915

Intel® Pentium® M 2GHz (max.)

AFL-17C-9652

Intel® Core™2 Duo T7500 2.2GHz processor (max.)

AFL-17C-QM57

Intel® Core i7-620M 2.66GHz Processor (max.)



NEW QM57 Platform Features:

- Powered by high performance 2.66 GHz Intel® Core i7-620M CPU with Intel® QM57 chipset
- DDR3 1066MHz system memory up to 4GB
- Support iAMT 6.0 for system remote control and monitoring
- HDMI port delivers the high image quality on the second display
- IEI One Key Recovery solution allows you to create rapid OS backup and recovery (Suggest over 4GB storage capacity)



Specifications



Model	AFL-17A-915-R11	AFL-17B-915-R11	AFL-17C-9652	AFL-17C-QM57-R10
LCD Size	17"			
Max Resolution	1280 x 1024			
Brightness (cd/m ²)	300			
Contrast Ratio	800 : 1			
LCD Color	16.7M			
Pixel Pitch (mm)	0.264 (H) x 0.264 (V)			
Viewing Angle (H-V)	160° / 160°			
Backlight MTBF	50000 hrs			
SBC Model	AFLMB-9152-R11		AFLMB-9652-R10	AFLMB2-QM57-R10
CPU	Intel® Celeron® M process 1Gz with 512KB L2Cache processor CPU	Intel® Pentium® M process (up to 2.0GHz) processor CPU Intel® Celeron M process CPU	Intel® Celeron® M550 2.0GHz CPU Intel® Core™ 2 Duo T7500 2.2GHz CPU	Socket G (PGA989) Intel® Arrandale processor
Chipset	Intel® 915 GME		Intel® GME965 Chipset	Intel® Ibox Peak-M
RAM	Supports two 400MHz or 533MHz DDRII SO-DIMM (2GB Max.)		Supports two 400MHz DDRII SO-DIMM (4GB Max.)	Two 204-pin 800/1066 DDR3 dual-channel SODIMMs supported (system max. 4GB)
I/O Ports	1 x RS-232 COM Port 1 x RS-232/422/485 COM port 2 x RJ-45 for Giga LAN 4 x USB 2.0 1 x Power Switch	1 x Reset Button 1 x External SATA 1 x Audio Port 1 x VGA Port 1 x Power Jack	1 x RS-232 COM Port 1 x RS-232/422/485 COM Port 2 x RJ-45 for Giga LAN 4 x USB 2.0 1 x Power Switch 1 x Reset Button	1 x Audio Port (Line-Out) 1 x VGA 1 x Power Jack 1 x HDMI Port 1 x Display Port 1 x MIC In
SSD	CF Typell			
Watchdog Timer	Software programmable supports 1~255 sec. System reset			
Audio	AMP 1.5W + 1.5W(internal speaker)	AMP 3W + 3W(internal speaker)	AMP 3W + 3W(internal speaker)	AMP 3W + 3W (Internal speaker)
Expansion	1 x Wireless Lan 802.11 b/g Module (internal PCIe mini card interface) 1 x Bluetooth Function (internal USB interface, Bluetooth V2.0)		1 x Wireless Lan 802.11 b / g / n Module (internal PCIe Mini card interface) 1 x Bluetooth Function (internal USB interface, Bluetooth V2.1+EDR)	
Drive Bay	1 x 2.5" SATA HDD bay			
Optional HSPA Module	N/A	1 x HSPA Mobile Module (USB Interface)		
Construction Front Panel	ABS + PC Plastic front frame			
Membrane Keypad	N/A		LCD On/Off, Brightness Up/Down, Volume Up/Down (5 keys)	
LED Function	1 x Power ON/OFF LED on Front Panel		1 x LED on Front Panel for Power ON/OFF	
Mounting	Panel, Wall, Rack, Stand and Arm VESA 100mm x 100mm			VESA 100 x 100mm
Front Panel Color	Sliver (877U) & Gray (ABSA2037)			
Dimension (WxHxD) (mm)	428 x 350 x 65	428 x 350 x 76	428 x 350 x 76	428 x 350 x 76
Operation Temperature (°C)	0~45°C with CF card or SATA interface 2.5" SSD HDD / 0~40°C with SATA 2.5" HDD		0~45°C with CF card or SATA interface 2.5" SSD HDD / 0~40°C with SATA 2.5" HDD	
Storage Temperature (°C)	-20°C ~60°C			
N/G Weight	5 Kg	5.8 Kg	5.8 Kg	6.0Kg
IP Level	Front Frame IP64			
Safety & EMC	CE / FCC / CB / CCC			
Touch Screen	Resistive Type 5-Wire (Touch controller IC is on board) or Capacitive type touch screen without HDD bay			
Power Adapter	P/N: 63000-FSP084DMBA1308-RS / 84W Power Adapter Input: 90VAC~264VAC, 50/60Hz / Output: 12VDC		P/N: 63000-FSP096AHB-RS / 96W Power Adapter Input: 90VAC~264VAC, 50/60Hz / Output: 12VDC	
Power Requirement	12VDC			
Power Consumption	61W	80W	86W (Intel® T7500, 2GB memory, 80G HDD)	90W



1 Automation Panel Solutions

2 All-in-One Touch POS

3 Digital Signage

4 Video Wall Controller

5 RISC-based Solutions

6 PACSmate Medical

7 Optional Peripherals

17" SXGA AFOLUX Panel PC

AFL-17D-N270

Intel® Atom™ N270 1.6GHz Processor

AFL-17D-GM45

Intel® Core™2 Duo T9400 2.53GHz Processor (max.)



Deep Glossy Black Surface



Specifications

Model	AFL-17D-N270-R10 <i>Fanless</i>	AFL-17D-GM45-R10
LCD Size	17"	
Max Resolution	1280 x 1024	
Brightness (cd/m ²)	300	
Contrast Ratio	800 : 1	
LCD Color	16.7M	
Pixel Pitch (mm)	0.264(H) x 0.264(V)	
Viewing Angle (H-V)	160° / 160°	
Backlight MTBF	50000 hrs	
SBC Model	AFLMB2-N270-R10	AFLMB2-GM45-R10
CPU	Intel® Atom™ process N270 1.6GHz CPU	Intel® Celeron® M 575 2.0GHz CPU Intel® Core™ 2 Duo P8400 2.26GHz CPU Intel® Core™ 2 Duo T9400 2.53GHz CPU
Chipset	Intel® 945GSE + ICH7M	
RAM	Supports one 400MHz or 533MHz DDRII SO-DIMM (2GB Max.)	
I/O Ports	1 x RS- 232 COM Port 1 x RS-232/422/485 COM port 2 x RJ-45 for Giga LAN 4 x USB 2.0 1 x Power Switch	1 x RS-232 COM Port 1 x RS-232/422/485 COM port 2 x RJ-45 for Giga LAN 4 x USB 2.0 1 x Power Switch
SSD	CF Typell	
Watchdog Timer	Software programmable supports 1~255 sec. System reset	
Audio	AMP 3W + 3W(internal speaker)	
Camera Module	300K pixel with Digital Microphone	
Expansion	1 x Wireless Lan 802.11 b/g Module (internal PCIe mini card interface) 1 x Bluetooth Function (internal USB interface, Bluetooth V2.0)	1 x Wireless Lan 802.11 b/g/n Module (internal PCIe mini card interface) 1 x Bluetooth Function (internal USB interface, Bluetooth V2.0)
Drive Bay	1 x 2.5" SATA HDD bay, 1 x Slim Type CD-ROM bay	
Optional HSUPA Module (support GSM 850, EGSM 900, DCS 1800 & 1900)	1 x HSUPA Mobile Module (USB Interface)	
Construction Front Panel	ABS + PC Plastic front frame	
Membrane Keypad	LCD On/Off, Brightness Up/Down, Volume Up/Down (5 keys)	
LED Function	1 x Power ON/OFF LED on Front Panel	
Mounting	Panel, Wall, Rack, Stand and Arm VESA 100mm x 100mm	
Front Panel Color	Black C	
Dimension (WxHxD) (mm)	410 x 349 x 83	
Operation Temperature (°C)	0°C ~40°C with SATA HDD -10°C ~50°C With CF Card or SATA interface 2.5" SSD HDD	0°C ~40°C With HDD 0°C ~45°C With CF Card or SATA interface 2.5" SSD HDD
Storage Temperature (°C)	-20°C ~60°C	
N/G Weight	6.2 Kg	
IP Level	Front Frame IP64	
Safety & EMC	CE / FCC / CB / CCC	
Touch Screen	Resistive Type 5-Wire (Touch controller IC is on board) or Capacitive type touch screen without HDD bay	
Power Adapter	P/N: 63000-FSP084DMBA1308-RS 84W Power Adapter Input: 90VAC~264VAC, 50/60Hz Output: 12VDC	P/N: 63000-FSP150AHAN1808-RS 150W Power Adapter Input: 90VAC~264VAC, 50/60Hz Output: 12VDC
Power Requirement	12VDC	
Power Consumption	58W	90W

1
Automation Panel Solutions

2
All-in-One Touch POS

3
Digital Signage

4
Video Wall Controller

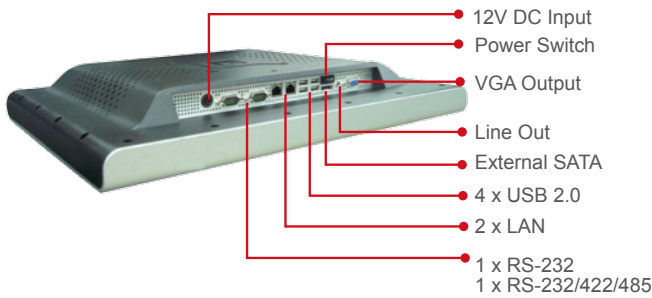
5
RISC-based Solutions

6
PACSmate Medical

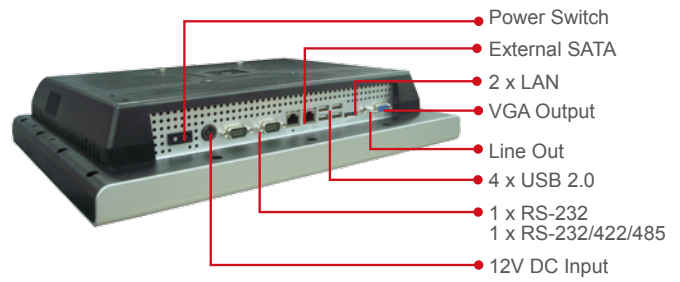
7
Optional Peripherals

Fully Integrated I/O

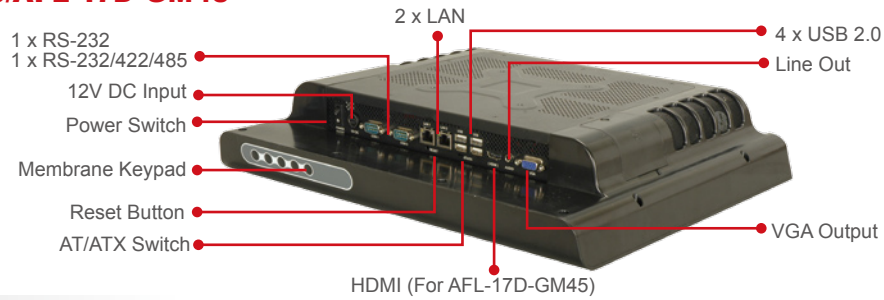
• AFL-17A-915



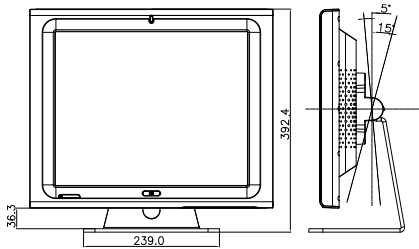
• AFL-17C-9652 / AFL-17B-915



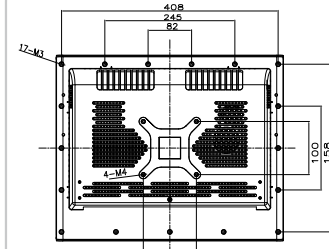
• AFL-17D-N270/AFL-17D-GM45



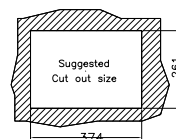
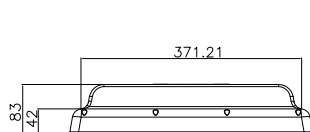
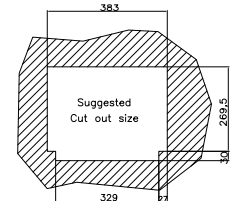
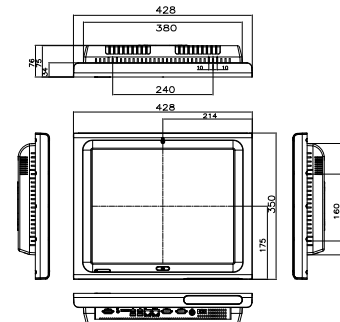
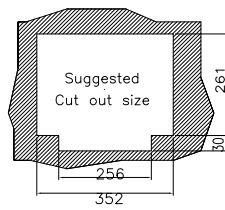
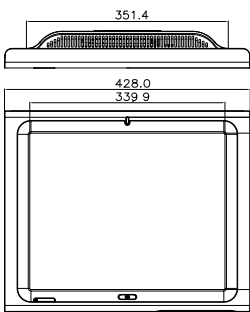
Dimensions (Unit: mm)



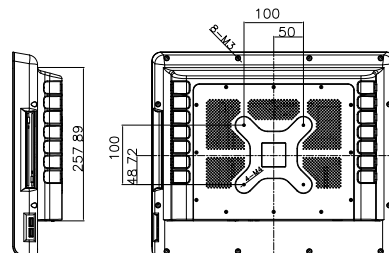
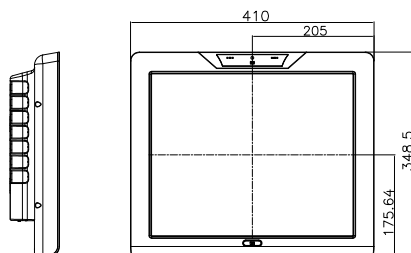
AFL-17A



AFL-17B/17C



AFL-17D



1 Automation Panel Solutions

2 All-in-One Touch POS

3 Digital Signage

4 Video Wall Controller

5 RISC-based Solutions

6 PACSmate Medical

7 Optional Peripherals

Ordering Information

Part Number	Description
AFL-17D-N270/R**(H)/1G-R20	17" 300cd/m ² SXGA fanless panel PC with Intel® Atom™ N270 1.6GHz CPU, 1GB DDR2 RAM, 802.11 b/g wireless module, touch screen, Bluetooth, 300K camera, microphone, R20, RoHS
AFL-17D-N270/R**(H)D/1G-R20	17" 300cd/m ² SXGA fanless panel PC with Intel® Atom™ N270 1.6GHz CPU, 1GB DDR2 RAM, 802.11 b/g WiFi, touch screen, Bluetooth, 300K camera, microphone, DVD-COMBO, R20, RoHS
AFL-17A-915-10G/R/1G-R20	17" 300cd/m ² SXGA fanless panel PC w/ Celeron® M 1.0GHz 512K cache CPU, DDR2 RAM, 802.11 b/g wireless module, touch screen, Bluetooth, R20, RoHS
AFL-17B-915-PM16/R**(H)/1G-R20	17" 300cd/m ² SXGA panel PC w/ Pentium® M 1.6GHz CPU, 1GB DDR2 RAM, 802.11 b/g wireless module, touch screen, Bluetooth, R20, RoHS
AFL-17B-915-CM37/R**(H)/1G-R20	17" 300cd/m ² SXGA panel PC w/ Celeron® M 1.5GHz CPU, 1GB DDR2 RAM, 802.11 b/g wireless module, touch screen, Bluetooth, R20, RoHS
AFL-17C-9652-CM55/R**(H)/1G-R20	17" 300cd/m ² SXGA panel PC with Celeron® M 550 2.0GHz CPU, 1GB DDR2 RAM, 802.11 b/g/n wireless module, touch screen, Bluetooth, R20, RoHS
AFL-17C-9652-T75/R**(H)/2G-R20	17" 300cd/m ² SXGA panel PC with Intel® Core™2 Dou T7500 2.2GHz CPU, 2GB DDR2 RAM, 802.11 b/g/n wireless module, touch screen, Bluetooth, R20, RoHS
AFL-17D-GM45-CM57/R**(H)/1G-R20	17" 300cd/m ² SXGA panel PC with Celeron® M 2.0GHz CPU, 1GB DDR2 RAM, 802.11 b/g/n wireless module, touch screen, Bluetooth, 300K camera, microphone, R20, RoHS
AFL-17D-GM45-P84/R**(H)/2G-R20	17" 300cd/m ² SXGA panel PC with Intel® Core™2 Dou P8400 2.26GHz CPU, 2GB DDR2 RAM, 802.11 b/g/n wireless module, touch screen, Bluetooth, 300K camera, microphone, R20, RoHS
AFL-17D-GM45-T94/R**(H)/2G-R20	17" 300cd/m ² SXGA panel PC with Intel® Core™2 Dou T9400 2.53GHz CPU, 2GB DDR2 RAM, 802.11 b/g/n wireless module, touch screen, Bluetooth, 300K camera, microphone, R20, RoHS
AFL-17D-GM45-CM57/R**(H)D/1G-R20	17" 300cd/m ² SXGA panel PC with Celeron® M 2.0GHz CPU, 1GB DDR2 RAM, 802.11 b/g/n WiFi, touch screen, Bluetooth, 300K camera, microphone, DVD-COMBO, R20, RoHS
AFL-17D-GM45-P84/R**(H)D/2G-R20	17" 300cd/m ² SXGA panel PC with Intel® Core™2 Dou P8400 2.26GHz CPU, 2GB DDR2 RAM, 802.11 b/g/n WiFi, touch screen, Bluetooth, 300K camera, microphone, DVD-COMBO, R20, RoHS
AFL-17D-GM45-T94/R**(H)D/2G-R20	17" 300cd/m ² SXGA panel PC with Intel® Core™2 Dou T9400 2.53GHz CPU, 2GB DDR2 RAM, 802.11 b/g/n WiFi, touch screen, Bluetooth, 300K camera, microphone, DVD-COMBO, R20, RoHS
AFL-17C-QM57I5/R**(H)/2G-R10	17" 300cd/m ² SXGA panel PC with Intel® Core™ i5-520M 2.4G CPU, 2GB DDR3 RAM, 802.11 b/g/n wireless module, touch screen, Bluetooth, R10, RoHS
AFL-17C-QM57I7/R**(H)/2G-R10	17" 300cd/m ² SXGA panel PC with Intel® Core™ i7-620M 2.66G CPU, 2GB DDR3 RAM, 802.11 b/g/n wireless module, touch screen, Bluetooth, R10, RoHS

Note: WiFi 802.11 draft N is upgradable.

ISMM Support Functions

	Voltage	Fan	Smart Fan	Temperature	WDT
AFL-17A(B)-915	V	V	V	V	V
AFL-17C-9652	V	V	V	V	V
AFL-17C-QM57	V	V	V	V	V
AFL-17D-N270	V			V	V
AFL-17D-GM45	V	V	V	V	V

Packing List

Item	Part Number	Q'ty	Specification
Screws Pack	44013-030041-RS	4	M3;5mm
Power Adpater	63000-FSP084DMBA1308-RS 63000-FSP096AHB-RS 63000-FSP150AHAN1808-RS	1	90~264V AC; 12V DC; 84W (17A-915, 17D-N270) 90~264V AC; 12V DC; 96W (17B-915, 17C-9652) 90~264V AC; 12V DC; 150W (17C-QM57 / 17D-GM45)
Power Cord	32000-000002-RS	1	1750mm; European Standard
Utilities CD	7B000-000087-RS	1	
Touch Pen	XTR104-0002-RS	1	

Options

Model	AFL-17D-N270	AFL-17A-915	AFL-17B-915	AFL-17C-9652	AFL-17C-QM57	AFL-17D-GM45
Panel mounting kit	AFLPK-17D	AFLPK-17		AFLPK-17B		AFLPK-17D
Wall mounting kit	AFLWK-19					
Rack mounting kit	AFLRK-17D	AFLRK-17		AFLRK-17B		AFLRK-17D
ARM	ARM-11-RS / ARM-31-RS					
Stand	STAND-A19, STAND-B19, STAND-210-R11					
OS: Win CE 5.0 (128 MB CF card)	N/A	AFLCF-17-915-CE-R11		N/A		N/A
OS: Win CE 6.0 (128 MB CF card)	AFLCF-17-N270-CE060-R10	AFLCF-17-915-CE060-R11		N/A		N/A
OS: Win XPE (1 GB CF card)	AFLCF-17-N270-XPE-R10	AFLCF-17-915-XPE-R11		AFLCF-17-9652-XPE	AFLCF-17-QM57-XPE-R10	AFLCF-17-GM45-XPE-R10
OS: LINUX (2 GB CF card)	AFLCF-17-N270-LNX-R10	AFLCF-17-915-LNX-R10		AFLCF-17-9652-LNX-R10	AFLCF-17-QM57-LNX-R10	AFLCF-17-GM45-LNX-R10
Hybrid Card Reader	N/A	AFLP-17AMSI-U		AFLP-17BMSI-U		N/A
Magnetic Stripe Reader	N/A	AFLP-17AMSR-U		AFLP-17BMSR-U		N/A
DC 12V Input UPS	AUPS-B10-R10 (VESA 100, DC 12V input, 12V output 100W UPS module with 3800mAh)					
DC 9~36V Input UPS	AUPS-B20-R10 (VESA 100, DC 9~36V input, 12V output 100W UPS module with 3800mAh)					

Note: Win CE application without digital microphone function

1
Automation
Panel
Solutions

2
All-in-One
Touch POS

3
Digital
Signage

4
Video Wall
Controller

5
RISC-
based
Solutions

6
PACsmate
Medical

7
Optional
Peripherals

19" SXGA AFOLUX Panel PC

AFL-19A-915

Intel® Celeron® M 1.0GHz with 512KB L2 cache Processor

AFL-19B-915

Intel® Pentium® M 2GHz Processor (max.)

AFL-19C-9652

Intel® Core™2 Duo T7500 2.2GHz Processor (max.)

AFL-19C-QM57

Intel® Core i7-620M 2.66GHz Processor (max.)



1 Automation Panel Solutions

2 All-in-One Touch POS

3 Digital Signage

4 Video Wall Controller

5 RISC-based Solutions

6 PACSmate Medical

7 Optional Peripherals



NEW QM57 Platform Features:

- Powered by high performance 2.66 GHz Intel® Core i7-620M CPU with Intel® QM57 chipset
- DDR3 1066MHz system memory up to 4GB
- Support iAMT 6.0 for system remote control and monitoring
- HDMI port delivers the high image quality on the second display
- IEI One Key Recovery solution allows you to create rapid OS backup and recovery (Suggest over 4GB storage capacity)



Specifications

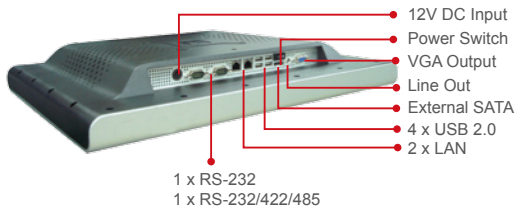


Model	AFL-19A-915-R11	AFL-19B-915-R11	AFL-19C-9652	AFL-19C-QM57-R10	
LCD Size	19"				
Max Resolution	1280 x 1024				
Brightness (cd/m ²)	300			250	
Contrast Ratio	800 : 1			1000 : 1	
LCD Color	16.7M			16.7M	
Pixel Pitch (mm)	0.294 (H) x 0.294 (V)			0.294(H) x 0.294(V)	
Viewing Angle (H-V)	160° / 160°			178° / 178°	
Backlight MTBF	50000 hrs			50000 hrs	
SBC Model	AFLMB-9152-R11		AFLMB-9652-R10	AFLMB2-QM57-R10	
CPU	Intel® Celeron® M process 1Gz with 512KB L2 Cache processor CPU	Intel® Pentium® M process (up to 2.0GHz) processor CPU Intel® Celeron M process CPU	Intel® Celeron® M550 2.0GHz CPU Intel® Core 2 Duo T7500 2.2GHz CPU	Socket G (PGA989) Intel® Arrondale processor	
Chipset	Intel® 915 GME		Intel® GME965	Intel® IbeX Peak-M	
RAM	Supports two 400MHz or 533MHz DDRII SO-DIMM (2GB Max.)		Supports two 400MHz DDRII SO-DIMM (4GB Max.)	Two 204-pin 800/1066 DDR3 dual-channel SODIMMs supported (system max. 4GB)	
I/O Ports	1 x RS-232 COM Port 1 x RS-232/422/485 COM port 2 x RJ-45 for Giga LAN 4 x USB 2.0 1 x Power Switch	1 x Reset Button 1 x External SATA 1 x Audio Port 1 x VGA Port 1 x Power Jack	1 x RS-232 COM Port 1 x RS-232/422/485 COM port 2 x RJ-45 for Giga LAN 4 x USB 2.0 1 x Power Switch	1 x RS-232 COM Port 1 x RS-232/422/485 COM Port 2 x RJ-45 for Giga LAN 4 x USB 2.0 1 x Power Switch 1 x Reset Button	1 x Audio Port (Line-Out) 1 x VGA 1 x Power Jack 1 x HDMI Port 1 x Display Port 1 x MIC In
SSD	CF Typell			CF Typell	
Watchdog Timer	Software programmable supports 1~255 sec. System reset				
Audio	AMP 3W + 3W (internal speaker)			AMP 3W + 3W (Internal speaker)	
Expansion	1 x Wireless Lan 802.11 b/g Module (internal Mini PCIe interface) / 1 x Bluetooth Function (internal USB interface, Bluetooth V2.0)			1 x Wireless Lan 802.11 b / g / n Module (internal PCIe Mini card interface) 1 x Bluetooth Function (internal USB interface, Bluetooth V2.1+EDR)	
Drive Bay	1 x 2.5" SATA HDD bay				
Optional HSUPA Module (support GSM 850, EGSM 900, DCS 1800 & 1900)	1 x HSUPA Mobile Module (USB Interface)				
Construction Front Panel	ABS + PC Plastic front frame		ABS + PC Plastic front frame		
Membrane Keypad	N/A		OSD Keypad below the Front Panel (5 keys)		
LED Function	1 x LED on Front Panel for Power ON/OFF			1 x LED on Front Panel for Power ON/OFF	
Mounting	Panel, Wall, Stand and Arm VESA 100mm x 100mm				
Front Panel Color	Silver (877U) & Gray (ABSA2037)			Silver (877U) & Gray (ABSA2037)	
Dimension (WxHxD) (mm)	470 x 383 x 67	470 x 383 x 79		470 x 383 x 79	
Operation Temperature (°C)	0°C~45°C with CF card or SATA interface 2.5" SSD HDD 0°C~40°C with SATA 2.5" HDD			0°C~45°C with CF card or SATA interface 2.5" SSD HDD 0°C~40°C with SATA 2.5" HDD	
Storage Temperature (°C)	-20°C ~60°C				
NG Weight	5.8 Kg	6.2 Kg		6.2Kg	
IP Level	Front Frame IP64				
Safety & EMC	CE / FCC / CB / CCC				
Touch Screen	Resistive Type 5-Wire (Touch controller IC is on board)				
Power Adapter	P/N: 63000-FSP084DMBA1308-RS 84W Power Adapter Input: 90VAC~264VAC, 50/60Hz Output: 12VDC	P/N: 63000-FSP096AHB-RS 96W Power Adapter Input: 90VAC~264VAC, 50/60Hz Output: 12VDC			
Power Requirement	12VDC			12VDC	
Power Consumption	68W	82W	88W (Intel® T7500, 2GB memory, 80G HDD)	95W	

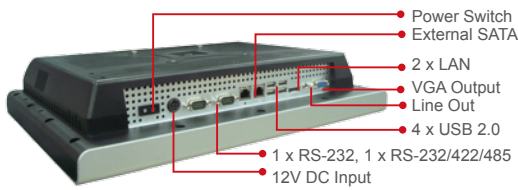


Fully Integrated I/O

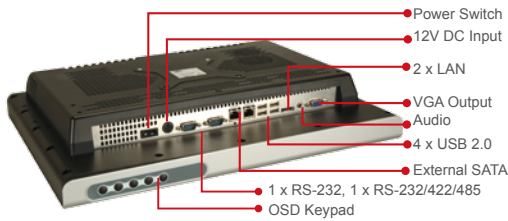
• AFL-19A-915



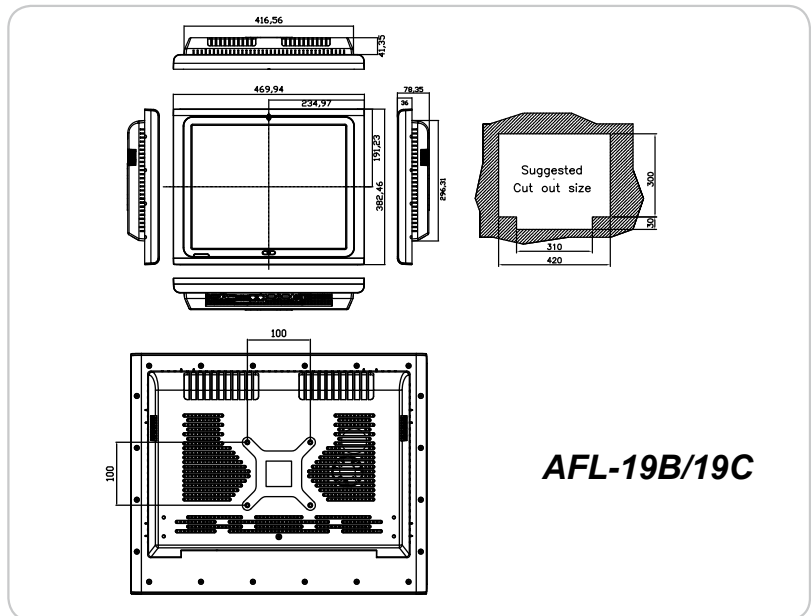
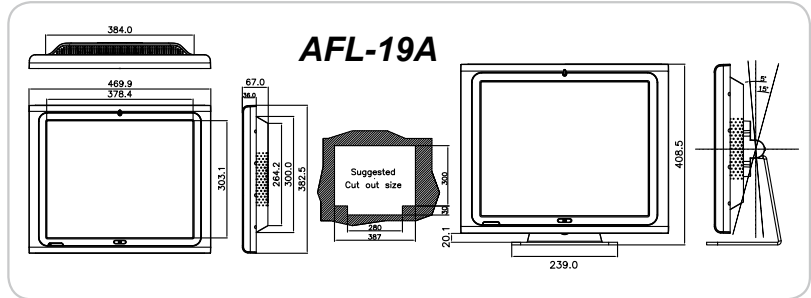
• AFL-19B-915



• AFL-19C-9652



Dimensions (Unit: mm)



Ordering Information

Part Number	Description
AFL-19A-915-10G/R**(H)/1G-R20	19" 300cd/m ² SXGA fanless panel PC w/ Celeron® M 1.0GHz 512K cache CPU, DDR2 RAM, 802.11 b/g wireless module, touch screen, Bluetooth, R20, RoHS
AFL-19B-915-PM16/R**(H)/1G-R20	19" 300cd/m ² SXGA panel PC w/ Pentium® M 1.6GHz CPU, 1GB DDR2 RAM, 802.11 b/g wireless module, touch screen, Bluetooth, R20, RoHS
AFL-19B-915-CM37/R**(H)/1G-R20	19" 300cd/m ² SXGA panel PC w/ Celeron® M 1.5GHz CPU, 1GB DDR2 RAM, 802.11 b/g wireless module, touch screen, Bluetooth, R20, RoHS
AFL-19C-9652-CM55/R**(H)/1G-R20	19" 300cd/m ² SXGA panel PC with Celeron® M 550 2.0GHz CPU, 1GB DDR2 RAM, 802.11 b/g/n wireless module, touch screen, Bluetooth, R20, RoHS
AFL-19C-9652-T75/R**(H)/2G-R20	19" 300cd/m ² SXGA panel PC with Core™2 Dou T7500 2.2GHz CPU, 2GB DDR2 RAM, 802.11 b/g/n wireless module, touch screen, Bluetooth, R20, RoHS
AFL-19C-QM5715/R**(H)//2G-R10	19" 300cd/m ² SXGA panel PC with Intel® Core™ i5-520M 2.4G CPU, 2GB DDR3 RAM, 802.11 b/g/n wireless module, touch screen, Bluetooth, R10, RoHS
AFL-19C-QM5717/R**(H)//2G-R10	19" 300cd/m ² SXGA panel PC with Intel® Core™ i7-620M 2.66G CPU, 2GB DDR3 RAM, 802.11 b/g/n wireless module, touch screen, Bluetooth, R10, RoHS

Packing List

Item	Part Number	Q'ty	Specification
Screws Pack	44013-030041-RS	4	M3,5mm
Power Adpater	63000-FSP084DMBA1308-RS 63000-FSP096AHB-RS	1	90~264V AC; 12V DC; 84W (19A-915) 90~264V AC; 12V DC; 96W (19B-915, 19C-9652)
Power Cord	32000-000002-RS	1	1750mm; European Standard
Utilities CD	7B000-000087-RS	1	
Touch Pen	XTR104-0002-RS	1	

ISMM Support Functions

	Voltage	Fan	Smart Fan	Temperature	WDT	Cash Drawer
AFL-19A(B)-915	V	V	V	V	V	
AFL-19C-9652	V	V	V	V	V	
AFL-19C-QM57	V	V	V	V	V	

Options

Model	AFL-19A-915	AFL-19B-915	AFL-19C-9652	AFL-19C-QM57
Panel mounting kit	AFLPK-19		AFLPK-19B	
Wall mounting kit			AFLWK-19	
Rack mounting kit			N/A	
ARM			ARM-11-RS / ARM-31-RS	
Stand			STAND-A19 / STAND-B19 / STAND-210-R11	
OS: Win CE 5.0 (128 MB CF card)		AFLCF-19-915-CE-R11		N/A
OS: Win CE 6.0 (128 MB CF card)		AFLCF-19-915-CE060-R11		N/A
OS: Win XPE (1 GB CF card)		AFLCF-19-915-XPE-R11	AFLCF-19-9652-XPE	AFLCF-19-QM57-XPE-R10
OS: LINUX (2 GB CF card)		AFLCF-19-915-LNX-R10	AFLCF-19-9652-LNX-R10	AFLCF-19-QM57-LNX-R10
Hybrid Card Reader			AFLP-19AMSI-U	
Magnetic Stripe Reader			AFLP-19AMSR-U	
DC 12V Input UPS		AUPS-B10-R10 (VESA 100, DC 12V input, 12V output 100W UPS module with 3800mAh)		
DC 9-36V Input UPS		AUPS-B20-R10 (VESA 100, DC 9-36V input, 12V output 100W UPS module with 3800mAh)		

19" Wide 1440 x 900 AFOLUX Panel PC

AFL-W19A/B-N270

Intel® Atom™ N270 1.6G Processor

AFL-W19A/B-GM45

Intel® Core™2 Duo T9400 2.53GHz Processor (max.)



Mirror Black Glossy Finish



Slim type optical disk driver



Membrane Keypad for System Function Settings



Ambient Light Sensor (Only for AFL-W19A Series)



300K Pixel Camera (with Low Light function) and Digital Microphone



HDMI High-Definition Multimedia Interface (For GM45 Systems Only)



Two USB Ports on Side of AFL-W19B-GM45



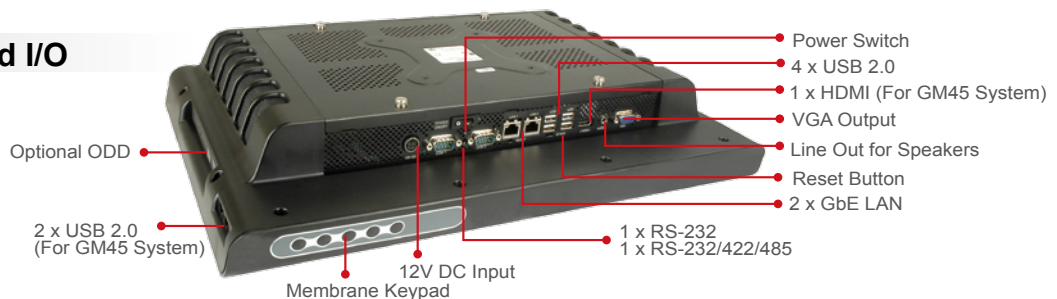
Features

- 19" wide screen all-in-one system with resistive touch panel
- High performance panel PC integrated with Intel® GM45 chipset and 45nm mobile Core™2 Duo processor support
- High quality wide screen panel featuring 16:10 aspect ratio, high contrast and fast response time
- Fan-less system integrated with Intel® Atom™ N270 1.6G processor for ultra low voltage
- CD/DVD-ROM drive bay (for B type model)
- WiFi 802.11b/g/n connection (for Intel® GM45 system)
- HDMI New High-Definition multimedia interface (for Intel® GM45 system)
- Built-in two speakers
- Built-in bluetooth technology
- Built-in HSUPA module for mobile connection (optional)
- Ambient Light Sensor detects ambient light for automated screen adjustments
- VESA-mountable for flexibility in mounting and deployment
- Software system settings utility support
- Support for Windows® CE, Windows® XP Embedded and LINUX (optional)
- IP 64 front panel compliant
- IEI One Key Recovery solution allows you to create rapid OS backup and recovery (Suggest over 4GB storage capacity)

Infrared Remote Control (For AFL-W19A Series Only)



Fully Integrated I/O



1 Automation Panel Solutions

2 All-in-One Touch POS

3 Digital Signage

4 Video Wall Controller

5 RISC-based Solutions

6 PACSmate Medical

7 Optional Peripherals

Specifications



Model	AFL-W19A-N270-R10	AFL-W19A-GM45-R10	AFL-W19B-N270-R10	AFL-W19B-GM45-R10
LCD Size	19"			
Max Resolution	1440 x 900			
Brightness (cd/m ²)	300			
Contrast Ratio	1000:1			
LCD Color	16.2M			
Pixel Pitch (mm)	0.285(H) x 0.285(V)			
Viewing Angle (H-V)	170° / 160°			
Backlight MTBF	50000 hrs			
SBC Model	AFLMB2-945GSE-N270-R10	AFLMB2-GM45-R10	AFLMB2-945GSE-N270-R10	AFLMB2-GM45-R10
CPU	Intel® Atom™ process N270 1.6GHz CPU	Intel® Core™2 Duo T7500 2.2GHz CPU (max.)	Intel® Atom™ process N270 1.6GHz CPU	Intel® Core™2 Duo T7500 2.2GHz CPU (max.)
Chipset	Intel® 945GSE + ICH7M	Intel® GM45 Chipset + ICH9M	Intel® 945GSE + ICH7M	Intel® GM45 Chipset + ICH9M
RAM	Supports one 400MHz or 533MHz DDRII SO-DIMM (2GB Max.)	Supports two 667MHz or 800MHz DDRII SO-DIMM (4GB max.)	Supports one 400MHz or 533MHz DDRII SO-DIMM (2GB Max.)	Supports two 667MHz or 800MHz DDRII SO-DIMM (4GB max.)
I/O Ports	1 x RS-232 COM Port 1 x RS-232/422/485 COM port 2 x RJ-45 for Giga LAN 4 x USB 2.0 1 x Power Switch 1 x Reset Button 1 x Audio Port 1 x VGA Port 1 x Power Jack	1 x RS-232 COM Port 1 x RS-232/422/485 COM port 2 x RJ-45 for Giga LAN 4 x USB 2.0 1 x Power Switch 1 x Reset Button 1 x HDMI port 1 x Audio port 1 x VGA port 1 x Power Jack	1 x RS-232 COM Port 1 x RS-232/422/485 COM port 2 x RJ-45 for Giga LAN 4 x USB 2.0 1 x Power Switch 1 x Reset Button 1 x Audio Port 1 x VGA Port 1 x Power Jack	1 x RS-232 COM Port 1 x RS-232/422/485 COM port 2 x RJ-45 for Giga LAN 6 x USB 2.0 (two on the side) 1 x Power Switch 1 x Reset Button 1 x HDMI port 1 x Audio port 1 x VGA port 1 x Power Jack
SSD	CF Typell			
Watchdog Timer	Software programmable supports 1~255 sec. System reset			
Audio	AMP 1.5W + 1.5W (internal speaker)		AMP 3W + AMP 3W(internal speaker)	
Camera Module	300K pixel camera (with low light function) and Digital Microphone			
Expansion	1 x Wireless Lan 802.11 b/g Module (internal PCIe mini card interface) 1 x Bluetooth Function (internal USB interface, Bluetooth V2.0)	1 x Wireless Lan 802.11 b/g/n Module (internal PCIe mini card interface) 1 x Bluetooth Function (internal USB interface, Bluetooth V2.0)	1 x Wireless Lan 802.11 b/g Module (internal PCIe mini card interface) 1 x Bluetooth Function (internal USB interface, Bluetooth V2.0)	1 x Wireless Lan 802.11 b/g/n Module (internal PCIe mini card interface) 1 x Bluetooth Function (internal USB interface, Bluetooth V2.0)
Drive Bay	1 x 2.5" SATA HDD bay		1 x 2.5" SATA HDD bay, 1 x slim type ODD bay	
Optional HSUPA Module (support GSM 850, EGSM 900, DCS 1800 & 1900)	1 x HSUPA Mobile Module (USB Interface) (Optional)			
Construction Front Panel	ABS + PC Plastic front frame			
Membrane Keypad	LCD On/Off, Brightness Down/Up, Volume Down/Up, Lock, Ambient Light Sensor On/Off (7 keys)		LCD On/Off, Brightness Down/Up, Volume Down/Up (5 keys)	
Ambient Light Sensor	Yes		N/A	
Infrared Remote Control	LCD On/Off, Brightness Up/Down, Volume Up/Down, System On/Off, Ambient Light Sensor On/Off		N/A	
Mounting	Panel, Wall, Stand and Arm VESA 100mm x 100mm			
Front Panel Color	Black C			
Dimension (WxHxD) (mm)	475 x 259 x 65		475 x 259 x 84	
Operation Temperature (°C)	0°C ~40°C With HDD -10°C ~50°C With CF Card or SATA interface 2.5" SSD HDD			
Storage Temperayure (°C)	-20°C ~60°C			
N/G Weight	5.8 Kg		6.2 Kg	
IP Level	Frant Frame IP64			
Safety & EMC	CE / FCC / CB / CCC			
Touch Screen	Resistive Type 5-Wire (Touch controller IC is on board)			
Power Adapter	P/N: 63000-FSP084DMBA1308-RS 84W Power Adapter Input: 90VAC~264VAC, 50/60Hz Output: 12VDC	P/N: 63000-FSP150AHAN1808-RS 150W Power Adapter Input: 90VAC~264VAC, 50/60Hz Output: 12VDC	P/N: 63000-FSP084DMBA1308-RS 84W Power Adapter Input: 90VAC~264VAC, 50/60Hz Output: 12VDC	P/N: 63000-FSP150AHAN1808-RS 150W Power Adapter Input: 90VAC~264VAC, 50/60Hz Output: 12VDC
Power Requirement	12VDC			
Power Consumption	55W	88W	61W	95W

CDRW-DVD Combo Drive Spec



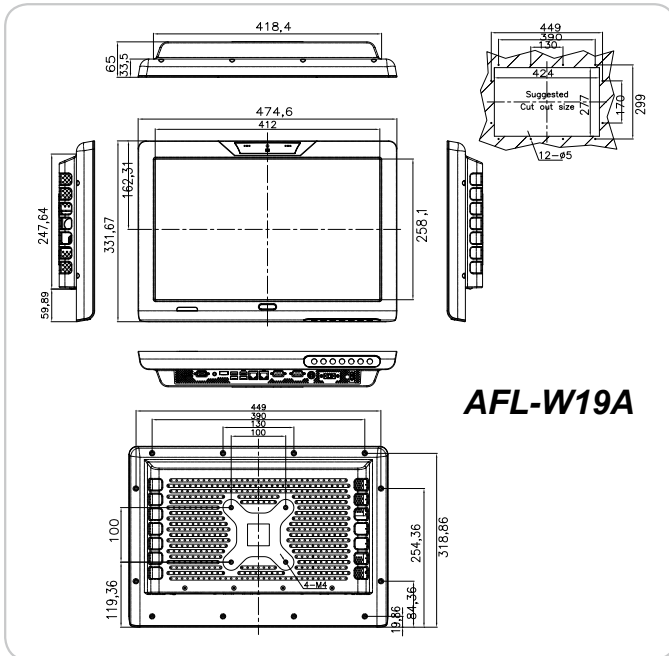
Accessible DVD Drive Bay

The drive is able to write CD-R/RW discs and also can perform as a regular DVD-ROM drive.

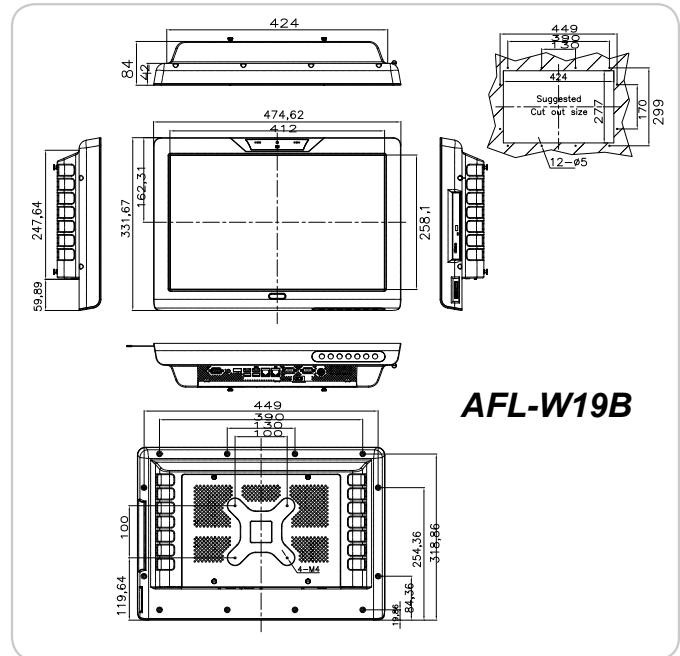
Drive Type	Internal Slim CD-RW/DVD Combo Drive	
Data Transfer Rate	Write: CD-R: 24X CD-RW: 24X	Read: DVD-ROM: 8X CD-ROM: 24X
Interface	SATA	
Buffer Memory	2MB	

Note: WiFi 802.11 draft N is upgradable.
Note: Optional 1.3MP Camera with Digital Microphone Module

Dimensions (Unit: mm)



AFL-W19A



AFL-W19B

Ordering Information

	Part Number	Description
W/O ODD	AFL-W19A-N270/R**(H)/1G-R20	19" 300cd/m ² 1440x900 panel PC with Intel® Atom™ N270 1.6GHz CPU, 1GB DDR2 RAM, 802.11 b/g wireless module, touch screen, Bluetooth, 300K camera, microphone, R20, RoHS
	AFL-W19A-GM45-CM57/R**(H)/1G-R20	19" 300cd/m ² 1440x900 panel PC with Celeron® M 2.0GHz CPU, 1GB DDR2 RAM, 802.11 b/g/n WiFi, touch screen, Bluetooth, 300K camera, microphone, R20, RoHS
	AFL-W19A-GM45-P84/R**(H)/2G-R20	19" 300cd/m ² 1440x900 panel PC with Core™2 Duo P:8400 2.26GHz CPU, 2GB DDR2 RAM, 802.11 b/g/n WiFi, touch screen, Bluetooth, 300K camera, microphone, R20, RoHS
	AFL-W19A-GM45-T94/R**(H)/2G-R20	19" 300cd/m ² 1440x900 panel PC with Core™2 Duo T9400 2.53GHz CPU, 2GB DDR2 RAM, 802.11 b/g/n WiFi, touch screen, Bluetooth, 300K camera, microphone, R20, RoHS
W/ ODD	AFL-W19B-N270/R**(H)D/1G-R20	19" 300cd/m ² 1440x900 panel PC with Intel® Atom™ N270 1.6GHz CPU, 1GB DDR2 RAM, 802.11 b/g WiFi, touch screen, Bluetooth, 300K camera, microphone, DVD-COMBO, R20, RoHS
	AFL-W19B-GM45-CM57/R**(H)D/1G-R20	19" 300cd/m ² 1440x900 panel PC with Celeron® M 2.0GHz CPU, 1GB DDR2 RAM, 802.11 b/g/n WiFi, touch screen, Bluetooth, 300K camera, microphone, DVD-COMBO, R20, RoHS
	AFL-W19B-GM45-P84/R**(H)D/2G-R20	19" 300cd/m ² 1440x900 panel PC with Core™2 Duo P8400 2.26GHz CPU, 2GB DDR2 RAM, 802.11 b/g/n WiFi, touch screen, Bluetooth, 300K camera, microphone, DVD-COMBO, R20, RoHS
	AFL-W19B-GM45-T94/R**(H)D/2G-R20	19" 300cd/m ² 1440x900 panel PC with Core™2 Duo T9400 2.53GHz CPU, 2GB DDR2 RAM, 802.11 b/g/n WiFi, touch screen, Bluetooth, 300K camera, microphone, DVD-COMBO, R20, RoHS

Options

Model	AFL-W19A-N270	AFL-W19A-GM45	AFL-W19B-N270	AFL-W19B-GM45
Panel mounting kit			AFLPK-W19B	
Wall mounting kit			AFLWK-19	
Rack mounting kit			N/A	
ARM			ARM-11-RS / ARM-31-RS	
Stand			STAND-A19 / STAND-B19 / STAND-210-R11	
OS: Win CE 6.0 (128 MB CF card)	AFLCF-W19-N270-CE060-R10	N/A	AFLCF-W19-N270-CE060-R10	N/A
OS: Win XPE(1 GB CF card)	AFLCF-W19-N270-XPE-R10	AFLCF-W19-GM45-XPE-R10	AFLCF-W19-N270-XPE-R10	AFLCF-W19-GM45-XPE-R10
OS: LINUX(2 GB CF card)	AFLCF-W19-N270-LNX-R10	AFLCF-W19-GM45-LNX-R10	AFLCF-W19-N270-LNX-R10	AFLCF-W19-GM45-LNX-R10
DC 12V Input UPS	AUPS-B10-R10 (VESA 100, DC 12V input, 12V output 100W UPS module with 3800mAh)			
DC 9~36V Input UPS	AUPS-B20-R10 (VESA 100, DC 9~36V input, 12V output 100W UPS module with 3800mAh)			

Note: Win CE application without digital microphone function

Packing List

Item	Part Number	Q'ty	Specification
Screws Pack	44013-030041-RS	4	M3;5mm
Power Adpater	63000-FSP084DMBA1308-RS 63000-FSP150AHAN1808-RS	1	90~264V AC; 12V DC; 84W (W19A/B-N270) 90~264V AC; 12V DC; 150W (W19A/B-GM45)
Power Cord	32000-000002-RS	1	1750mm; (EU or US, Which type of cord is shipped depends on the country)
Utilities CD	7B000-000087-RS	1	
Touch Pen	XTR104-0002-RS	1	

ISMM Support Functions

	Voltage	Fan	Smart Fan	Temperature	WDT	Cash Drawer
AFL-W19A(B)-N270	V			V	V	
AFL-W19A(B)-GM45	V	V	V	V	V	

1
Automation Panel Solutions

2
All-in-One Touch POS

3
Digital Signage

4
Video Wall Controller

5
RISC-based Solutions

6
PACSmate Medical

7
Optional Peripherals