

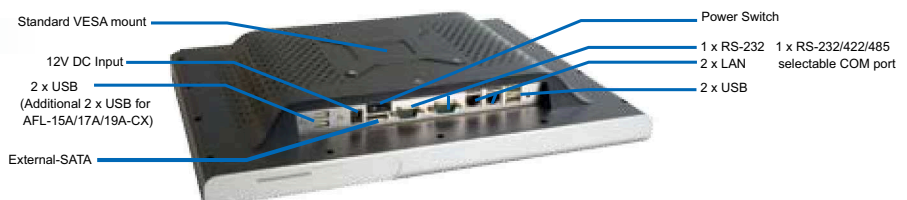
VIA CX700M Platform



Model	AFL-10A-CX	AFL-12B-CX	AFL-15A-CX	AFL-17A-CX	AFL-19A-CX
LCD Size	10.4"	12.1"	15"	17"	19"
Max Resolution	800 x 600	1024 x 768	1024 x 768	1280 x 1024	1280 x 1024
Brightness (cd/m ²)	400	450	350	300	300
Contrast Ratio	500:1	700:1	400:1	800:1	800:1
LCD Color	262K	262M	262K	16.7M	16.7M
Pixel Pitch (mm)	211.2(H) x 158.4(V)	0.240(H) x 0.240(V)	0.297(H) x 0.297(V)	0.264(H) x 0.264(V)	0.294(H) x 0.294(V)
Viewing Angle (H-V)	120/100	160/160	120/100	160(H) / 160(V)	160(H) / 160(V)
Backlight MTBF	50000 hrs	50000 hrs	50000 hrs	50000 hrs	50000 hrs
SBC Model	AFLMB-CX700	AFLMB-CX700	AFLMB-CX700	AFLMB-CX700	AFLMB-CX700
CPU	VIA C7® (1.5GHz) with fan (noise: 39dB) Fanless VIA Eden™ (500MHz)	VIA C7® (1.5GHz) with fan (noise: 39dB) Fanless VIA Eden™ (500MHz)	VIA C7® (1.5GHz) with fan (noise: 35.1dB) Fanless VIA Eden™ (500MHz)	VIA C7® (1.5GHz) with fan (noise: 39dB) Fanless VIA Eden™ (500MHz)	VIA C7® (1.5GHz) with fan (noise: 39dB) Fanless VIA Eden™ (500MHz)
Chipset	CX700M	CX700M	CX700M	CX700M	CX700M
RAM	Supports one 200-pin 1GB (maximum) 400MHz or 533MHz DDR2 SO-DIMM	Supports one 200-pin 1GB (maximum) 400MHz or 533MHz DDR2 SO-DIMM	Supports one 200-pin 1GB (maximum) 400MHz or 533MHz DDR2 SO-DIMM	Supports one 200-pin 1GB (maximum) 400MHz or 533MHz DDR2 SO-DIMM	Supports one 200-pin 1GB (maximum) 400MHz or 533MHz DDR2 SO-DIMM
I/O Ports and Switches	1x External SATA 1 x RS-232 1 x RS-232/422/485 2 x RJ-45 for GbE 2 x USB 2.0 1 x Power Switch 1 x Reset Button	1x External SATA 1 x RS-232 1 x RS-232/422/485 2 x RJ-45 for GbE 2 x USB 2.0 1 x Power Switch 1 x Reset Button	1x External SATA 1 x RS-232 1 x RS-232/422/485 2 x RJ-45 for GbE 4 x USB 2.0 1 x Power Switch 1 x Reset Button	1x External SATA 1 x RS-232 1 x RS-232/422/485 2 x RJ-45 for GbE 4 x USB 2.0 1 x Power Switch 1 x Reset Button 1 x VGA port	1x External SATA 1 x RS-232 1 x RS-232/422/485 2 x RJ-45 for GbE 4 x USB 2.0 1 x Power Switch 1 x Reset Button 1 x VGA port
SSD	CF Type II	CF Type II	CF Type II	CF Type II	CF Type II
Watchdog Timer	Software programmable supports 1~255 sec. System reset				
Audio	AMP 1.5W + 1.5W	AMP 1.5W + 1.5W	AMP 1.5W + 1.5W	AMP 1.5W + 1.5W	AMP 1.5W + 1.5W
Expansion	1 x Mini PCI (Wireless LAN Module) 1 x Bluetooth Module (USB Interface, Bluetooth V2.0)	1 x Mini PCI (Wireless LAN Module) 1 x Bluetooth Module (USB Interface, Bluetooth V2.0)	1 x Mini PCI (Wireless LAN Module) 1 x Bluetooth Module (USB Interface, Bluetooth V2.0)	1 x Mini PCI (Wireless LAN Module) 1 x Bluetooth Module (USB Interface, Bluetooth V2.0)	1 x Mini PCI (Wireless LAN Module) 1 x Bluetooth Module (USB Interface, Bluetooth V2.0)
HDD Drive Bay	N/A	1 x 2.5" HDD bay or Optional GPRS Module	1 x 2.5" HDD bay or Optional GPRS Module	1 x 2.5" HDD bay	1 x 2.5" HDD bay
Optional GPRS Module (support GSM 850, EGSM 900, DCS 1800 & PCS 1900)	Yes	Yes	Yes	Yes	Yes
Construction Material	ABS + PC Plastic front frame	ABS + PC Plastic front frame	ABS + PC Plastic front frame	ABS + PC Plastic front frame	ABS + PC Plastic front frame
LED Function	1 x Power ON/OFF LED on front panel	1 x Power ON/OFF LED on front panel	1 x Power ON/OFF LED on front panel	1 x Power ON/OFF LED on front panel	1 x Power ON/OFF LED on front panel
Mounting	Panel / Wall mounting VESA 75 x 75mm	Panel / Wall mounting VESA 75 x 75mm / 100 x 100mm	Panel, Wall, Rack, Stand and Arm VESA 100mm x 100mm	Panel, Wall, Rack, Stand and Arm VESA 100mm x 100mm	Panel, Wall, Stand and Arm VESA 100mm x 100mm
Front Panel Color	7539U	7539U	Silver	Silver	Silver
Dimension (WxHxD) (mm)	276 x 226.9 x 50.7	304 x 246 x 55.5	394 x 309 x 61	428 x 350 x 65	470x 383 x 67
Operation Temperature (°C)	0°C~45°C with CF card or SATA interface 2.5"SSD HDD	0°C~45°C with CF card or SATA interface 2.5"SSD HDD	0°C~45°C with CF card or SATA interface 2.5"SSD HDD	0°C~45°C with CF card or SATA interface 2.5"SSD HDD	0°C~45°C with CF card or SATA interface 2.5"SSD HDD
Storage Temperature (°C)	-20°C~60°C	-20°C~60°C	-20°C~60°C	-20°C~60°C	-20°C~60°C
Net Weight	1.4 kg	1.8 kg	3.2 kg	5 kg	5.6 kg
IP Level(front panel)	IP 64	IP 64	IP 64	IP 64	IP 64
EMC	CE, FCC, CCC	CE, FCC, CCC	CE, FCC, CCC	CE, FCC, CCC	CE, FCC, CCC
Safety	UL, CB	UL, CB	UL, CB	UL, CB	UL, CB
Touch Screen	Resistive Type 5-Wire (touch controller IC is on board)	Resistive Type 5-Wire (touch controller IC is on board)	Resistive Type 5-Wire (touch controller IC is on board)	Resistive Type 5-Wire (touch controller IC is on board)	Resistive Type 5-Wire (touch controller IC is on board)
Power Adapter	P/N:63000-FSP0481AD101C-RS Power: 48W Input: 90VAC~264VAC @ 50/60Hz Output: 12VDC	P/N:63000-FSP0481AD101C-RS Power: 48W Input: 90VAC~264VAC @ 50/60Hz Output: 12VDC	P/N:63000-FSP0361AD101C-RS Power: 80W Input: 90VAC~264VAC @ 50/60Hz Output:12VDC	P/N:63000-FSP0361AD101C-RS Power: 80W Input: 90VAC~264VAC @ 50/60Hz Output:12VDC	P/N:63000-FSP0361AD101C-RS Power: 80W Input: 90VAC~264VAC @ 50/60Hz Output:12VDC
Power Requirement	12VDC	12VDC	12VDC	12VDC	12VDC
Power Consumption	34W	41W	41W	61W	64W

Fully Integrated I/O

(AFL-10A-CX, AFL-12B-CX, AFL-15A-CX, AFL-17A-CX, AFL-19A-CX)



1 Application Server Platform

2 Single Board Computer

3 IBX Series POS PC

4 AFOLUX POS Panel PC

5 Video Capture Card

6 KAMIO RISC

7 IOVU Open HMI

8 VITO Universal Controller

9 DINO BLADE

10 LCD Product Series

11 Embedded System

12 Industrial Computer Chassis

13 Power Supply

14 Peripherals

Dimensions (Unit:mm)

1
Application
Server
Platform

2
Single
Board
Computer

3
IBX Series
POS PC

4
AFOLUX
POS
Panel PC

5
Video
Capture
Card

6
KAMIO
RISC

7
IOVU
Open HMI

8
VITO
Universal
Controller

9
DINO
BLADE

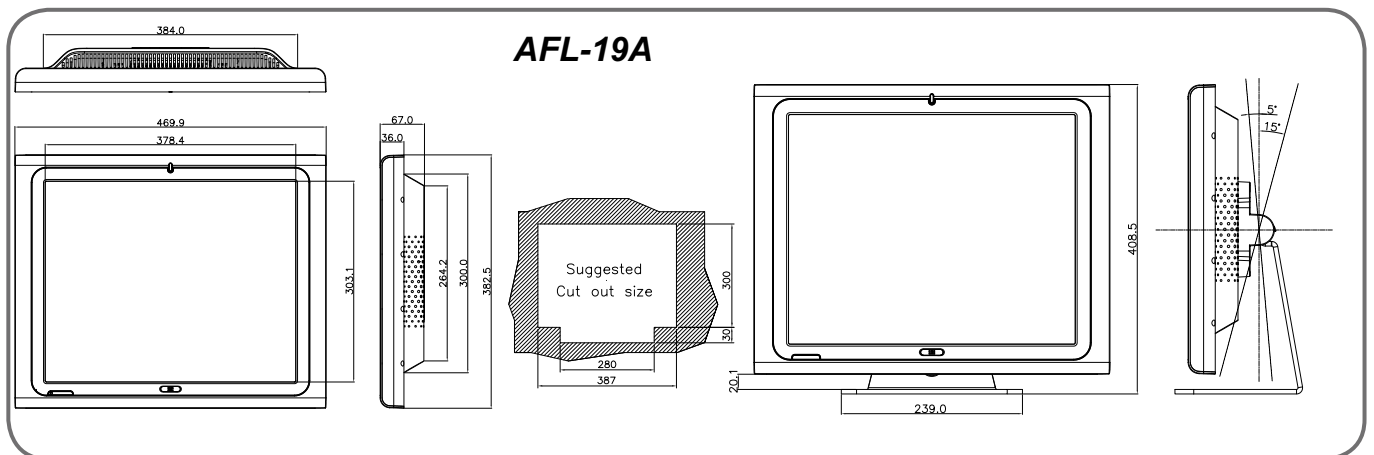
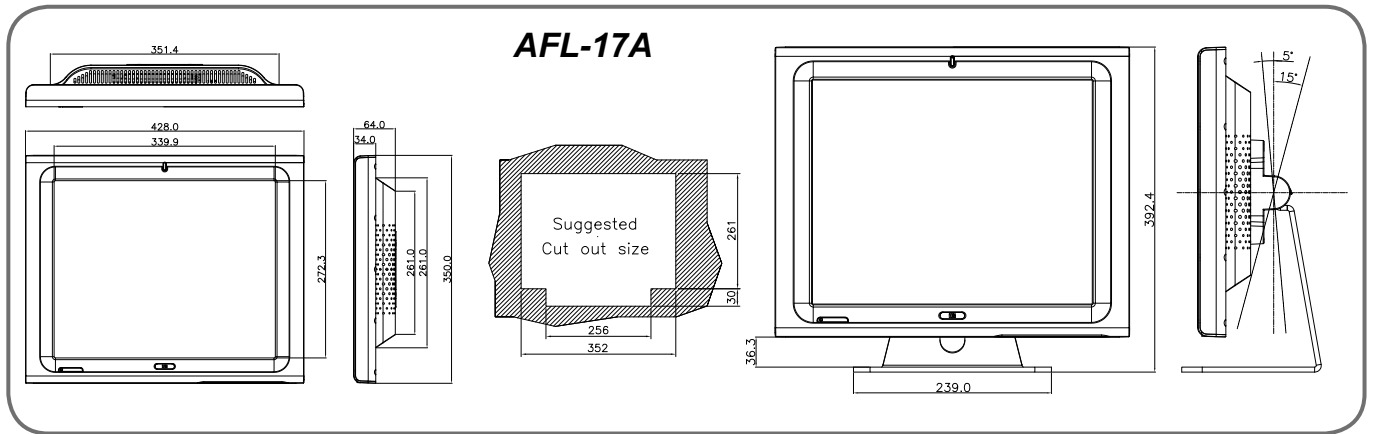
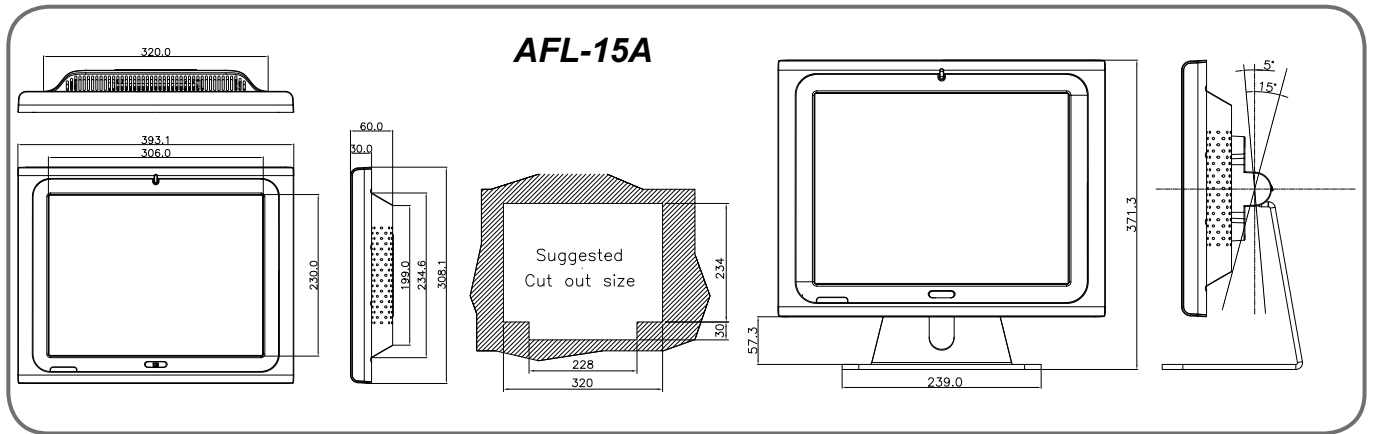
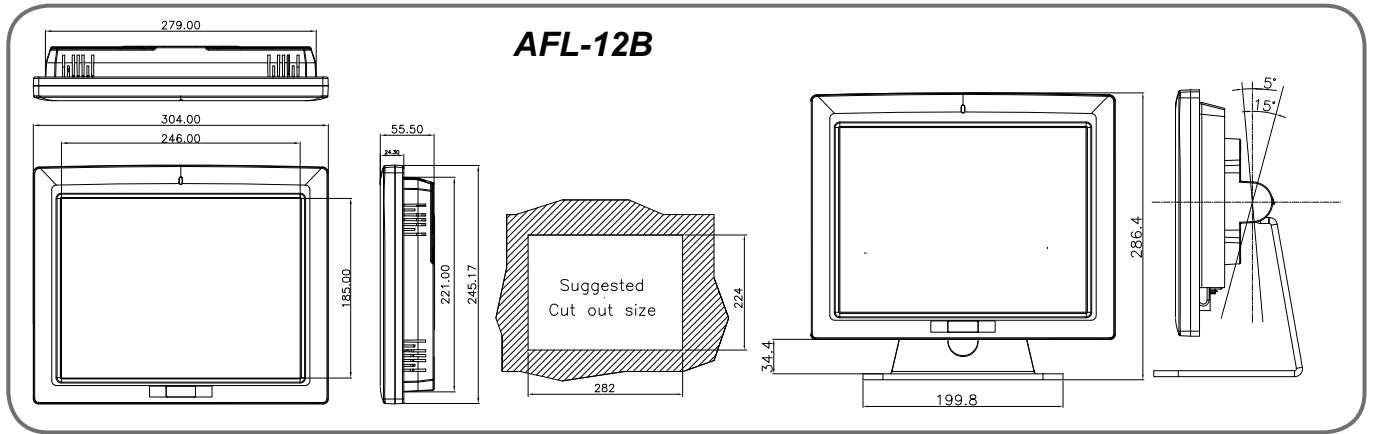
10
LCD
Product
Series

11
Embedded
System

12
Industrial
Computer
Chassis

13
Power
Supply

14
Peripherals



Options

Model	AFL-07A-LX-R11	AFL-08A-LX-R11	AFL-10A-LX	AFL-12A-LX-R11
			AFL-10A-CX	AFL-12B-CX
Panel mounting kit	AFLPK-08		AFLPK-12	
Wall mounting kit			AFLWK-12	
Rack mounting kit	AFLRK-07	AFLRK-08	AFLRK-10	AFLRK-12
ARM	ARM-11-RS, ARM-31-RS			
Stand	STAND-A08, STAND-100-RS/STAND-150-RS		STAND-A12, STAND-100-RS/STAND-150-RS	
DC to DC converter module	IDD-930160-KIT : 60W, 9-30V DC input			
OS: Win CE 5.0	AFLCF-07-LX-CE-R11	AFLCF-08-LX-CE-R11	AFLCF-10-LX-CE AFLCF-10-CX-CE	AFLCF-12-LX-CE-R11 AFLCF-12-CX-CE
OS: Win CE 6.0	AFLCF-07-LX-CE-CE060	AFLCF-08-LX-CE-CE060	AFLCF-10-LX-CE-CE060 AFLCF-10-CX-CE-CE060	AFLCF-12-LX-CE-CE060 AFLCF-12-CX-CE-CE060
OS: Win XPE	AFLCF-07-LX-XPE-R11	AFLCF-08-LX-XPE-R11	AFLCF-10-LX-XPE AFLCF-10-CX-XPE	AFLCF-12-LX-XPE-R11 AFLCF-12-CX-XPE

Model	AFL-15A-CX	AFL-15B-690	AFL-15A-915 AFL-15B-915	AFL-17A-CX	AFL-17B-690	AFL-17A-915 AFL-17B-915	AFL-19A-CX	AFL-19B-690	AFL-19A-915 AFL-19B-915
	Panel mounting kit	AFLPK-15				AFLPK-17		AFLPK-19	
Wall mounting kit					AFLWK-19				
Rack mounting kit	AFLRK-15				AFLRK-17		N/A		
ARM	ARM-11-RS, ARM-31-RS								
Stand	STAND-A19, STAND-B19, STAND-210-RS								
DC to DC converter module	N/A								
OS: Win CE 5.0	AFLCF-15-CX-CE	AFLCF-15-690-CE050	AFLCF-15-915-CE050	AFLCF-17-CX-CE	AFLCF-17-690-CE050	AFLCF-17-915-CE050	AFLCF-19-CX-CE	AFLCF-19-690-CE050	AFLCF-19-915-CE050
OS: Win CE 6.0	AFLCF-15-CX-CE-CE060	AFLCF-15-690-CE060	AFLCF-15-915-CE060	AFLCF-17-CX-CE-CE060	AFLCF-17-690-CE060	AFLCF-17-915-CE060	AFLCF-19-CX-CE-CE060	AFLCF-19-690-CE060	AFLCF-19-915-CE060
OS: Win XPE	AFLCF-15-CX-XPE	AFLCF-15-690-XPE	AFLCF-15-915-XPE	AFLCF-17-CX-XPE	AFLCF-17-690-XPE	AFLCF-17-915-XPE	AFLCF-19-CX-XPE	AFLCF-19-690-XPE	AFLCF-19-915-XPE

Ordering Information

AMD Geode™ LX Family	
AFL-056A-LX/WT-R/256MB	5.6", 350cd/m ² QVGA fanless panel PC with AMD Geode™ LX 800 CPU, 256MB DDR RAM, 802.11 b/g wireless module, Bluetooth module and touch screen, RoHS
AFL-056A-LX/WT-R/512MB	5.6", 350cd/m ² QVGA fanless panel PC with AMD Geode™ LX 800 CPU, 512MB DDR RAM, 802.11 b/g wireless module, Bluetooth module and touch screen, RoHS
AFL-057A-LX/WT-R/256MB	5.7", 400cd/m ² VGA fanless panel PC with AMD Geode™ LX 800 CPU, 256MB DDR RAM, 802.11 b/g wireless module, Bluetooth module and touch screen, RoHS
AFL-057A-LX/WT-R/512MB	5.7", 400cd/m ² VGA fanless panel PC with AMD Geode™ LX 800 CPU, 512MB DDR RAM, 802.11 b/g wireless module, Bluetooth module and touch screen, RoHS
AFL-07A-LX/WT-R/256MB-R11	7", 350cd/m ² WVGA fanless panel PC with AMD Geode™ LX 800 CPU, 256MB DDR RAM, 802.11b/g wireless module, Bluetooth module and touch screen, RoHS
AFL-07A-LX/WT-R/512MB-R11	7", 350cd/m ² WVGA fanless panel PC with AMD Geode™ LX 800 CPU, 512MB DDR RAM, 802.11b/g wireless module, Bluetooth module and touch screen, RoHS
AFL-08AH-LX/WT-R/256MB-R11	8.4", 450cd/m ² SVGA fanless panel PC with AMD Geode™ LX 800 CPU, 256MB DDR RAM, 802.11b/g wireless module, Bluetooth module and touch screen, RoHS
AFL-08AH-LX/WT-R/512MB-R11	8.4", 450cd/m ² SVGA fanless panel PC with AMD Geode™ LX 800 CPU, 512MB DDR RAM, 802.11b/g wireless module, Bluetooth module and touch screen, RoHS
AFL-10A-LX/WT-R/256MB/**(GPRS01)	10.4", 400cd/m ² SVGA fanless panel PC with AMD Geode™ LX 800 CPU, 256MB DDR RAM, 802.11b/g wireless module, Bluetooth module and touch screen, RoHS
AFL-10A-LX/WT-R/512MB/**(GPRS01)	10.4", 400cd/m ² SVGA fanless panel PC with AMD Geode™ LX 800 CPU, 512MB DDR RAM, 802.11b/g wireless module, Bluetooth module and touch screen, RoHS
AFL-12A-LX/WT-R/256MB-R11/**(GPRS01)	12.1", 450cd/m ² XGA fanless panel PC with AMD Geode™ LX 800 CPU, 256MB DDR RAM, 802.11b/g wireless module, Bluetooth module and touch screen, RoHS
AFL-12A-LX/WT-R/512MB-R11/**(GPRS01)	12.1", 450cd/m ² XGA fanless panel PC with AMD Geode™ LX 800 CPU, 512MB DDR RAM, 802.11b/g wireless module, Bluetooth module and touch screen, RoHS

**Note: For AFL-12A/15A model, if the GPRS module is used, the HDD can't be implemented.

Ordering Information

VIA® CX700M Family	
AFL-10A-CX-15GZ/WT-R/512MB/**(GPRS01)	10.4", 400cd/m ² SVGA panel PC with VIA C7® 1.5GHz CPU, 512MB DDR2 RAM, 802.11b/g wireless module, Bluetooth module and touch screen, RoHS
AFL-10A-CX-05GZ/WT-R/512MB/**(GPRS01)	10.4", 400cd/m ² SVGA fanless panel PC with VIA Eden™ 500MHz CPU, 512MB DDR2 RAM, 802.11b/g wireless module, Bluetooth module and touch screen, RoHS
AFL-12B-CX-15GZ/WT-R/512MB/**(GPRS01)	12.1", 450cd/m ² XGA panel PC with VIA C7® 1.5GHz CPU, 512MB DDR2 RAM, 802.11b/g wireless module, Bluetooth module and touch screen, RoHS
AFL-12B-CX-05GZ/WT-R/512MB/**(GPRS01)	12.1", 450cd/m ² XGA fanless panel PC with VIA Eden™ 500MHz CPU, 512MB DDR2 RAM, 802.11b/g wireless module, Bluetooth module and touch screen, RoHS
AFL-15A-CX-15GZ/WT-R/512MB/**(GPRS01)	15", 350cd/m ² XGA panel PC with VIA C7® 1.5GHz CPU, 512MB DDR2 RAM, 802.11b/g wireless module, Bluetooth module and touch screen, RoHS
AFL-15A-CX-05GZ/WT-R/512MB/**(GPRS01)	15", 350cd/m ² XGA fanless panel PC with VIA Eden™ 500MHz CPU, 512MB DDR2 RAM, 802.11b/g wireless module, Bluetooth module and touch screen, RoHS
AFL-17A-CX-15GZ/WT-R/512MB/**(GPRS01)	17", 300cd/m ² SXGA panel PC with VIA C7® 1.5GHz CPU, 512MB DDR2 RAM, 802.11b/g wireless module, Bluetooth module and touch screen, RoHS
AFL-17A-CX-05GZ/WT-R/512MB/**(GPRS01)	17", 300cd/m ² SXGA fanless panel PC with VIA Eden™ 500MHz CPU, 512MB DDR2 RAM, 802.11b/g wireless module, Bluetooth module and touch screen, RoHS
AFL-19A-CX-15GZ/WT-R/512MB/**(GPRS01)	19", 300cd/m ² SXGA panel PC with VIA C7® 1.5GHz CPU, 512MB DDR2 RAM, 802.11b/g wireless module, Bluetooth module and touch screen, RoHS
AFL-19A-CX-05GZ/WT-R/512MB/**(GPRS01)	19", 300cd/m ² SXGA fanless panel PC with VIA Eden™ 500MHz CPU, 512MB DDR2 RAM, 802.11b/g wireless module, Bluetooth module and touch screen, RoHS

Intel® 915 Family		** (GPRS0) for optional GPRS module
• CPU BGA Type		
Celeron®M 1.0GHz 512K cache		
AFL-15A-915-10G/WT-R/1GB	15" 350cd/m ² XGA panel PC w/ Celeron® M 1.0GHz 512K cache CPU, 1GB DDR2 RAM, 802.11 b/g wireless module, touch screen, Bluetooth, RoHS	
AFL-17A-915-10G/WT-R/1GB	17" 300cd/m ² SXGA panel PC w/ Celeron® M 1.0GHz 512K cache CPU, 1GB DDR2 RAM, 802.11 b/g wireless module, touch screen, Bluetooth, RoHS	
AFL-19A-915-10G/WT-R/1GB/**(GPRS01)	19" 300cd/m ² SXGA panel PC w/ Celeron® M 1.0GHz 512K cache CPU, 1GB DDR2 RAM, 802.11 b/g wireless module, touch screen, Bluetooth, RoHS	
• CPU Socket Type		
Pentium®M 1.6GHz (Intel® Processor # 730)		
AFL-15B-915-PM730/WT-R/1GB/**(GPRS01)	15" 350cd/m ² XGA panel PC w/ Pentium® M 1.6GHz CPU, 1GB DDR2 RAM, 802.11 b/g wireless module, touch screen, Bluetooth, RoHS	
AFL-17B-915-PM730/WT-R/1GB/**(GPRS01)	17" 300cd/m ² SXGA panel PC w/ Pentium® M 1.6GHz CPU, 1GB DDR2 RAM, 802.11 b/g wireless module, touch screen, Bluetooth, RoHS	
AFL-19B-915-PM730/WT-R/1GB/**(GPRS01)	19" 300cd/m ² SXGA panel PC w/ Pentium® M 1.6GHz CPU, 1GB DDR2 RAM, 802.11 b/g wireless module, touch screen, Bluetooth, RoHS	
Celeron®M 1.5GHz (Intel® Processor # 370)		
AFL-15B-915-CM370/WT-R/1GB/**(GPRS01)	15" 350cd/m ² XGA panel PC w/ Celeron® M 1.5GHz CPU, 1GB DDR2 RAM, 802.11 b/g wireless module, touch screen, Bluetooth, RoHS	
AFL-17B-915-CM370/WT-R/1GB/**(GPRS01)	17" 300cd/m ² SXGA panel PC w/ Celeron® M 1.5GHz CPU, 1GB DDR2 RAM, 802.11 b/g wireless module, touch screen, Bluetooth, RoHS	
AFL-19B-915-CM370/WT-R/1GB/**(GPRS01)	19" 300cd/m ² SXGA panel PC w/ Celeron® M 1.5GHz CPU, 1GB DDR2 RAM, 802.11 b/g wireless module, touch screen, Bluetooth, RoHS	
AMD 690 Family		
AMD Athlon™ 64 X2 Dual-Core 4000+ 2.1GHz		
AFL-15B-690-AX2-4000/WT-R/1GB/**(GPRS01)	15" 350cd/m ² XGA panel PC w/ AMD Athlon™ 64 X2 Dual-Core 4000+ 2.1GHz CPU, 1GB DDR2 RAM, 802.11 b/g wireless module, touch screen, Bluetooth, RoHS	
AFL-17B-690-AX2-4000/WT-R/1GB/**(GPRS01)	17" 300cd/m ² SXGA panel PC w/ AMD Athlon™ 64 X2 Dual-Core 4000+ 2.1GHz CPU, 1GB DDR2 RAM, 802.11 b/g wireless module, touch screen, Bluetooth, RoHS	
AFL-17B-690-AX2-4000/WT-R/1GB/**(GPRS01)	19" 300cd/m ² SXGA panel PC w/ AMD Athlon™ 64 X2 Dual-Core 4000+ 2.1GHz CPU, 1GB DDR2 RAM, 802.11 b/g wireless module, touch screen, Bluetooth, RoHS	