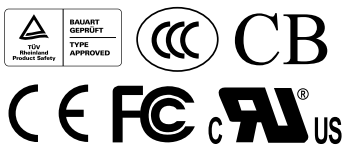


ACE-716AP-U 150 W 1U Type AT Power Supply



PFC

High reliability magnetic bearing cooling system. Low noise, extended MTBF and high temperature tolerance.



Features

1. Build active PFC
2. Meets ITE safety standards
3. 1U height for rackmount systems

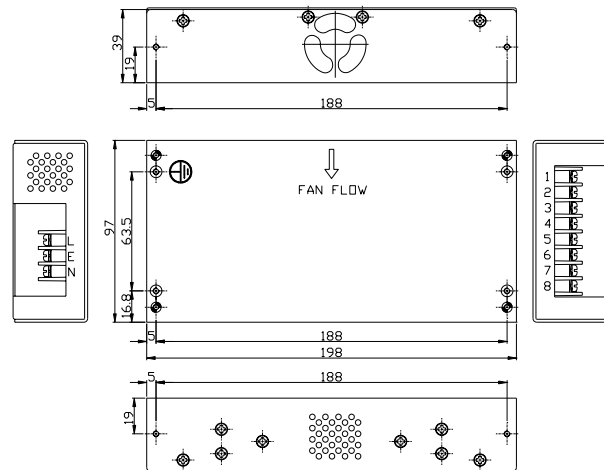
Specifications

Input Voltage	90 ~ 264 VAC Full Range			
Input Frequency	47 ~ 63 Hz			
Input Current	3 A (RMS) for 115 VAC			
	1.5 A (RMS) for 230 VAC			
Inrush Current	25 A MAX. for 115 VAC			
	50 A MAX. for 230 VAC			
Overvoltage	Voltage	Min. load	Max. load	Ripple & Noise
	+5 V	2 A	18 A	100mV
	+12 V	0.5 A	4 A	100mV
	-5 V	0 A	0.5 A	100mV
	-12 V	0 A	1 A	100mV
Over Voltage Protection	+5 V	5.7 V ~ 7.0 V		
Short Circuit Protection	short circuit all the output			
Hold Up Time	20ms min.			
MTBF	100,000 hours on max load at +50°C			
Operating Temperature	0 °C ~ 70 °C (50 °C~ 70 °C derating curve)			
Storage Temperature	-30 °C ~ 70 °C			
Efficiency	75 %			
Dimensions	198 x 97 x 40.5 (mm)			

Ordering Information

Part No.	Description
ACE-716AP-U-RS	150 W 1U AC-DC AT Power Supply, with PFC

Dimensions



AC terminal block

Pin 1	Pin 2	Pin 3
L	E	N

Output terminal block

Pin 1, 2	Pin 3, 4	Pin 5	Pin 6	Pin7	Pin8
5V	GND	-5V	-12V	GND	+12V

Optional 1 AC Input Solution



PN: CB-643EC-RS
20 cm AC input cable with I/O connector and fuse

Optional 2 Embedded Solution



PN: CB-716EB-RS
30 cm DC cable to CPU card with 4-pin 12 V CPU, SATA and 2 x HDD

Optional 3 ATX Backplane Solution



PN: CB-716BP-RS
30 cm DC cable to backplane with 20-pin ATX, HDD and SATA

Optional 4 AT P8P9 Backplane Solution



PN: CB-716P8P9-RS
30 cm DC cable AT power to P8P9, with HDD and SATA

1 Application Server Platform

2 Single Board Computer

3 IBX Series POS PC

4 AFOLUX POS Panel PC

5 Video Capture Card

6 KAMIO RISC

7 IOVU Open HMI

8 VITO Universal Controller

9 DINO BLADE

10 LCD Product Series

11 Embedded System

12 Industrial Computer Chassis

13 Power Supply

14 Peripherals