

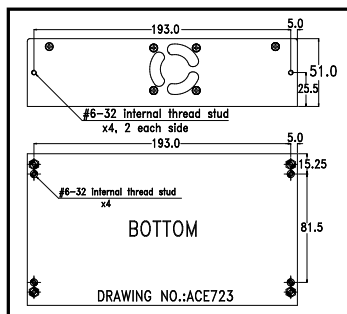
ACE-723A/B

200 W AC-DC AT Power Supply



Input Type	85 ~ 135 VAC, 180 ~ 265 VAC Auto Range				
Output Voltage	+5 V	+12 V	-5 V	-12 V	+24 V
ACE-723A	22 A (3 A min)	6 A	1 A	1 A	
ACE-723B	21 A (3 A min)	5 A		1 A	1 A
Efficiency	75 %				
Temperature	Operating : -20 °C~ 70 °C (40 °C~ 70 °C derating curve) Storage : -20 °C~ 85 °C				
MTBF(hrs)	150,000 (ACE-723A) , 148,000 (ACE-723B)				
Output Connector	Optional Cable				
Dimensions	203 x 112 x 51 (mm)				

Dimensions



connectors

200W

Optional 1 AC Input Solution



PN: CB-643EC-RS
20 cm AC input cable with I/O connector and fuse

Optional 2 Embedded Solution



PN: CB-716EB-RS
30 cm DC cable to CPU card with 4-pin 12 V CPU, HDD and SATA connectors

Optional 3 ATX Backplane Solution



PN: CB-716BP-RS
30 cm DC cable to backplane, with 20-pin ATX, HDD and SATA connectors

Optional 4 AT P8P9 Backplane Solution



PN: CB-716P8P9-RS
30 cm DC cable AT power to P8P9, with HDD and SATA connectors

Ordering Information

- ACE-723A-RS 200W AC-DC AT Power Supply
- ACE-723B-RS 200W AC-DC AT Power Supply, with +24V output