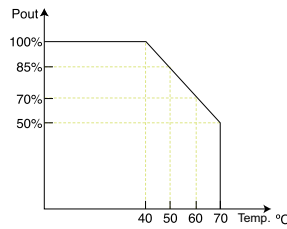


ACE-723C/T 200 W 24V/48V DC input AT Power Supply



200W

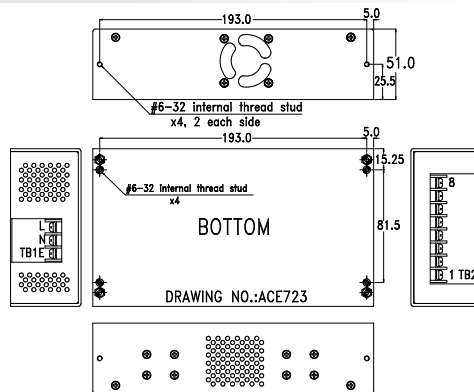
Specifications

Input Voltage	ACE-723C: 19 ~ 30 VDC ACE-723T: -36 ~ -72 VDC
Input Current	ACE-723C: 16 A (RMS) for 24 VDC ACE-723T: 8 A (RMS) for -48 VDC
Output Voltage	Voltage Min. load Max. load Ripple & Noise
	+5 V 3 A 22 A 100 mV
	+12 V 0 A 6 A 100 mV
	-5 V 0 A 1 A 100 mV
-12 V 0 A 1 A 100 mV	
Overload protection	+5 V output ±1% +12 V output ±4% -12 V output ±1% -5 V output ±1%
Temperature	Operating : -20 °C ~ 70 °C (40 °C~ 70 °C derating curve) Storage : -20 °C ~ 85 °C
Efficiency	ACE-723C: 70 % ACE-723T: 75 %
Input protection	Protection against wrong polarity if -48V volts inverse by mistake.
Thermal protection	Thermal protection use build in 110 °C ±5 °C thermal switch in HS1.
Vibration	10 ~ 55 Hz at 2G 3minutes period, 30 minutes along X, Y and Z axis.
Impact	10G for 20ms once on each X, Y and Z axis.
MTBF(hrs)	ACE-723C: 138,000 ACE-723T: 174,000
Dimensions	203 x 112 x 51 (mm)
Output connector	Optional Cable

Ordering Information

Part No.	Description
ACE-723C-RS	200 W 24 V DC input AT Power Supply
ACE-723T-RS	200 W 48 V DC input AT Power Supply

Dimensions



AC terminal block

Pin 1	Pin 2	Pin 3
E	N	L

Output terminal block

Pin 1, 2	Pin 3, 4	Pin 5	Pin 6	Pin7	Pin8
5V	GND	-5V	-12V	GND	+12V

Optional 1 Embedded Solution



PN: CB-716EB-RS

30 cm DC cable to CPU card with 4-pin 12 V CPU, HDD and SATA connectors

Optional 2 ATX Backplane Solution



PN: CB-716BP-RS

30 cm cable to backplane with 20-pin ATX, HDD and SATA connector

Optional 3 AT P8P9 Backplane Solution



PN: CB-716P8P9-RS

30 cm DC cable AT power to P8P9, with HDD and SATA