

AMD Geode™ LX Platform



High Brightness

High Brightness

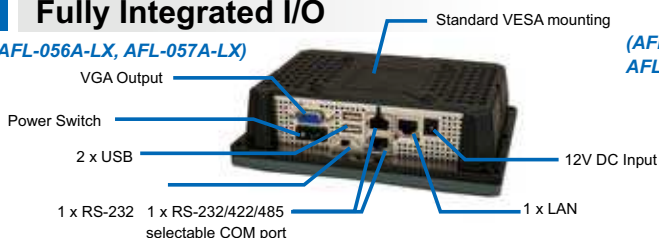


Model	AFL-056A-LX	AFL-057A-LX	AFL-07A-LX-R11	AFL-08AH-LX-R11	AFL-10A-LX	AFL-12A-LX-R11
LCD Size	5.6"	5.7"	7"	8.4"	10.4"	12.1"
Max Resolution	320 * 234	640 * 480	800 * 480	800 * 600	800 * 600	1024 * 768
Brightness (cd/m ²)	350	400	350	450	400	450
Contrast Ratio	400:1	300:1	400:1	500:1	500:1	700:1
LCD Color	262K	262K	262K	262K	262K	262K
Pixel Pitch (mm)	0.118(H) x 0.362(V)	0.06(H) x 0.18(V)	0.1905(H) x 0.1905(V)	0.213(H) x 0.213(V)	211.2(H) x 158.4(V)	0.240(H) x 0.240(V)
Viewing Angle (H-V)	140/110	140/110	140/110	120/100	120/100	160/160
Backlight MTBF	30000 hrs	50000 hrs	50000 hrs	50000 hrs	50000 hrs	50000 hrs
SBC Model	AFLMB-LX2-800	AFLMB-LX2-800	AFLMB-LX800	AFLMB-LX800	AFLMB-LX800	AFLMB-LX800
CPU	AMD Geode™ LX 800 (500MHz)	AMD Geode™ LX 800 (500MHz)	AMD Geode™ LX 800 (500MHz)	AMD Geode™ LX 800 (500MHz)	AMD Geode™ LX 800 (500MHz)	AMD Geode™ LX 800 (500MHz)
Chipset	AMD Geode™ LX 800 + AMD Geode™ CS5536	AMD Geode™ LX 800 + AMD Geode™ CS5536	AMD Geode™ LX 800 + AMD Geode™ CS5536	AMD Geode™ LX 800 + AMD Geode™ CS5536	AMD Geode™ LX 800 + AMD Geode™ CS5536	AMD Geode™ LX 800 + AMD Geode™ CS5536
RAM	Supports one 1GB (maximum) 333MHz or 400MHz DDR SO-DIMM	Supports one 1GB (maximum) 333MHz or 400MHz SO-DIMM	Supports one 1GB (maximum) 333MHz or 400MHz DDR SO-DIMM	Supports one 1GB (maximum) 333MHz or 400MHz SO-DIMM	Supports one 1GB (maximum) 333MHz or 400MHz SO-DIMM	Supports one 1GB (maximum) 333MHz or 400MHz SO-DIMM
I/O Ports and Switches	1 x RS-232 COM port (RJ-45) 1 x RS-232/422/485 COM port (RJ-45) 1 x RJ-45 for GbE 2 x USB 2.0 1 x Power Switch 1 x Reset Button 1 x VGA port	1 x RS-232 COM port (RJ-45) 1 x RS-232/422/485 COM port (RJ-45) 1 x RJ-45 for GbE 2 x USB 2.0 1 x Power Switch 1 x Reset Button 1 x VGA port	1 x RS-232 COM port 1 x RS-232/422/485 COM port 2 x RJ-45 for 10/100Mbps LAN 2 x USB 2.0 1 x Power Switch 1 x Reset Button	1 x RS-232 COM port 1 x RS-232/422/485 COM port 2 x RJ-45 for 10/100Mbps LAN 2 x USB 2.0 1 x Power Switch 1 x Reset Button	1 x RS-232 COM port 1 x RS-232/422/485 COM port 2 x RJ-45 for 10/100Mbps LAN 2 x USB 2.0 1 x Power Switch 1 x Reset Button	1 x RS-232 COM port 1 x RS-232/422/485 COM port 2 x RJ-45 for 10/100Mbps LAN 2 x USB 2.0 1 x Power Switch 1 x Reset Button
SSD	CF Type II	CF Type II	CF Type II	CF Type II	CF Type II	CF Type II
Watchdog Timer	Software programmable supports 1-255 sec. System reset					
Audio	AMP 1.5W + 1.5W	AMP 1.5W+1.5W	AMP 1.5W + 1.5W	AMP 1.5W + 1.5W	AMP 1.5W + 1.5W	AMP 1.5W + 1.5W
Expansion	1 x Wireless LAN Module (USB Interface)	1 x Wireless LAN Module (USB Interface)	1 x Mini PCI (Wireless LAN Module) 1 x Bluetooth Module (USB Interface, Bluetooth V2.0)	1 x Mini PCI (Wireless LAN Module) 1 x Bluetooth Module (USB Interface, Bluetooth V2.0)	1 x Mini PCI (Wireless LAN Module) 1 x Bluetooth Module (USB Interface, Bluetooth V2.0)	1 x Mini PCI (Wireless LAN Module) 1 x Bluetooth Module (USB Interface, Bluetooth V2.0)
HDD Drive Bay	N/A	N/A	N/A	N/A	N/A	1 x 2.5" HDD bay or Optional GPRS Module
Optional GPRS Module (support GSM 850,EGSM 900,DCS 1800 & PCS 1900)	N/A	N/A	N/A	N/A	Yes	
Construction Material	ABS + PC Plastic front frame Aluminum die casting body	ABS + PC Plastic front frame Aluminum die casting body	ABS + PC Plastic front frame	ABS + PC Plastic front frame	ABS + PC Plastic front frame	ABS + PC Plastic front frame
LED Function	1 x Power ON/OFF LED on front panel	1 x Power ON/OFF LED on front panel	1 x Power ON/OFF LED on front panel	1 x Power ON/OFF LED on front panel	1 x Power ON/OFF LED on front panel	1 x Power ON/OFF LED on front panel
Mounting	Panel, Wall, Stand and Arm (VESA 75mm x 75mm)	Panel, Wall, Stand and Arm (VESA 75mm x 75mm)	Panel, Wall, Rack, Stand or Arm VESA 75mm x 75mm	Panel, Wall, Rack, Stand or Arm VESA 75mm x 75mm	Panel, Wall, Rack, Stand or Arm VESA 75mm x 75mm	Panel, Wall, Rack, Stand or Arm VESA 75mm x 75mm / 100 x 100mm
Front Panel Color	Gray 7539U	Gray 7539U	Gray 7539U	Gray 7539U	Gray 7539U	Gray 7539U
Dimensions (WxHxD) (mm)	180 x 135 x 52	180 x 135 x 52	226 x 140 x 41	234 x 184 x 42	276 x 227 x 50.7	304 x 246 x 50
Operation Temperature (°C)	0°C~50°C	0°C~50°C	0°C~50°C	0°C~50°C	0°C~50°C	0°C~50°C
Storage Temperature (°C)	-20°C~60°C	-20°C~60°C	-20°C~60°C	-20°C~60°C	-20°C~60°C	-20°C~60°C
Net Weight	0.8 Kg	0.8 Kg	0.6 Kg	0.8 Kg	1.4 Kg	1.8Kg
IP Level(front panel)	IP 64	IP 64	IP 64	IP 64	IP 64	IP 64
EMC	CE, FCC, CCC	CE, FCC, CCC	CE, FCC, CCC	CE, FCC, CCC	CE, FCC, CCC	CE, FCC, CCC
Safety	UL, CB	UL, CB	UL, CB	UL, CB	UL, CB	UL, CB
Touch Screen	Resistive Type 5-Wire (touch controller IC is on board)	Resistive Type 5-Wire (touch controller IC is on board)	Resistive Type 4-Wire (touch controller IC is on board)	Resistive Type 4-Wire (touch controller IC is on board)	Resistive Type 5-Wire (touch controller IC is on board)	Resistive Type 5-Wire (touch controller IC is on board)
Power Adapter	P/N: 63000-FSP0361AD101C-RS Power: 36W Input: 90VAC~264VAC @ 50/60Hz Output:12VDC	P/N: 63000-FSP0361AD101C-RS Power: 36W Input: 90VAC~264VAC @ 50/60Hz Output:12VDC	P/N: 63000-FSP0361AD101C-RS Power: 36W Input: 90VAC~264VAC @ 50/60Hz Output:12VDC	P/N:63000-FSP0361AD101C-RS Power: 36W Input: 90VAC~264VAC @ 50/60Hz Output:12VDC	P/N:63000-FSP0361AD101C-RS Power: 36W Input: 90VAC~264VAC @ 50/60Hz Output:12VDC	P/N:63000-FSP0361AD101C-RS Power: 36W Input: 90VAC~264VAC @ 50/60Hz Output:12VDC
Power Requirement	12VDC	12VDC	12VDC	12VDC	12VDC	12VDC
Power Consumption	17W	15W	20W	20W	25W	29W

Windows CE support

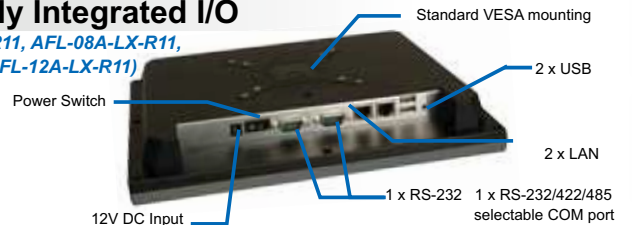
Fully Integrated I/O

(AFL-056A-LX, AFL-057A-LX)



Fully Integrated I/O

(AFL-07A-LX-R11, AFL-08A-LX-R11, AFL-10A-LX, AFL-12A-LX-R11)



1 Application Server Platform

2 Single Board Computer

3 IBX Series POS PC

4 AFOLUX POS Panel PC

5 Video Capture Card

6 KAMIO RISC

7 IOVU Open HMI

8 VITO Universal Controller

9 DINO BLADE

10 LCD Product Series

11 Embedded System

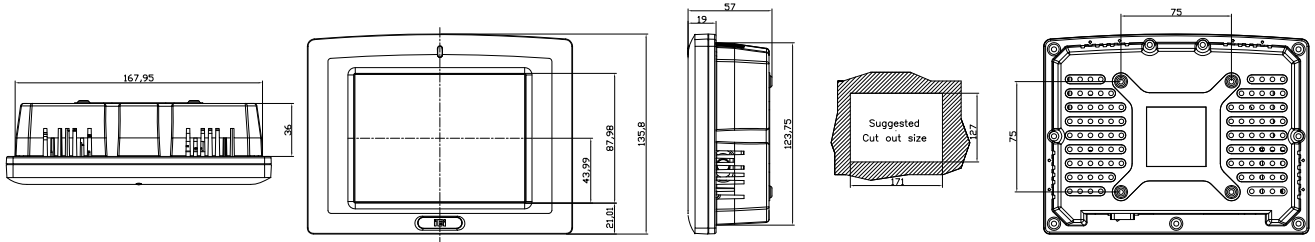
12 Industrial Computer Chassis

13 Power Supply

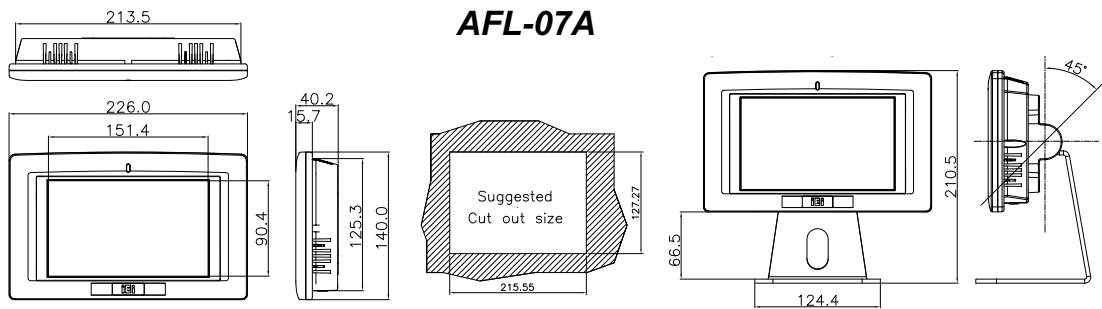
14 Peripherals

Dimensions (Unit:mm)

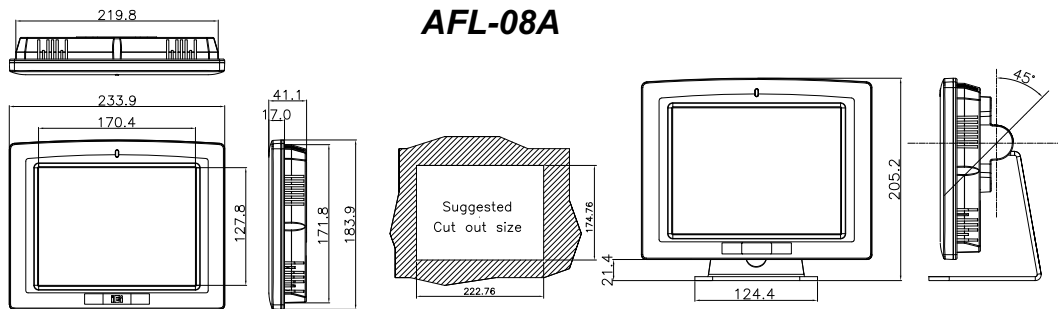
AFL-056A / AFL-057A



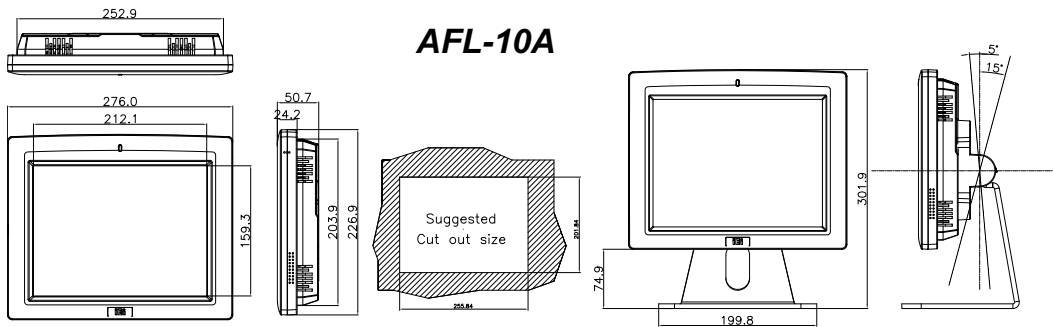
AFL-07A



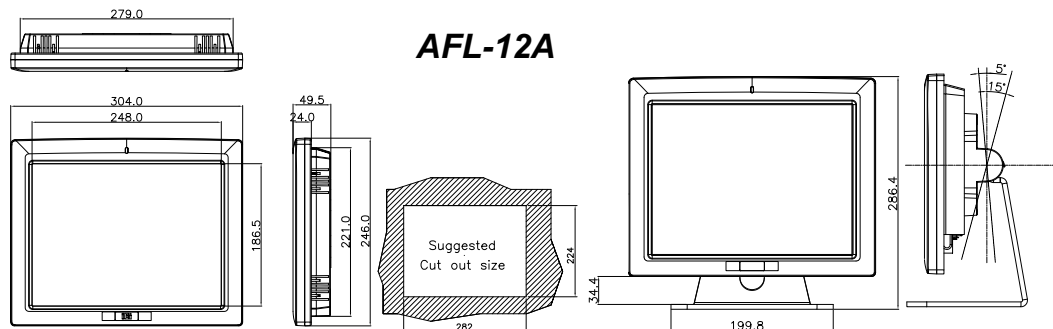
AFL-08A



AFL-10A



AFL-12A



1

Application Server Platform

2

Single Board Computer

3

IBX Series POS PC

4

AFOLUX POS Panel PC

5

Video Capture Card

6

KAMIO RISC

7

IOVU Open HMI

8

VITO Universal Controller

9

DINO BLADE

10

LCD Product Series

11

Embedded System

12

Industrial Computer Chassis

13

Power Supply

14

Peripherals

Options

Model	AFL-07A-LX-R11	AFL-08A-LX-R11	AFL-10A-LX	AFL-12A-LX-R11
			AFL-10A-CX	AFL-12B-CX
Panel mounting kit	AFLPK-08		AFLPK-12	
Wall mounting kit			AFLWK-12	
Rack mounting kit	AFLRK-07	AFLRK-08	AFLRK-10	AFLRK-12
ARM	ARM-11-RS, ARM-31-RS			
Stand	STAND-A08, STAND-100-RS/STAND-150-RS		STAND-A12, STAND-100-RS/STAND-150-RS	
DC to DC converter module	IDD-930160-KIT : 60W, 9-30V DC input			
OS: Win CE 5.0	AFLCF-07-LX-CE-R11	AFLCF-08-LX-CE-R11	AFLCF-10-LX-CE AFLCF-10-CX-CE	AFLCF-12-LX-CE-R11 AFLCF-12-CX-CE
OS: Win CE 6.0	AFLCF-07-LX-CE-CE060	AFLCF-08-LX-CE-CE060	AFLCF-10-LX-CE-CE060 AFLCF-10-CX-CE-CE060	AFLCF-12-LX-CE-CE060 AFLCF-12-CX-CE-CE060
OS: Win XPE	AFLCF-07-LX-XPE-R11	AFLCF-08-LX-XPE-R11	AFLCF-10-LX-XPE AFLCF-10-CX-XPE	AFLCF-12-LX-XPE-R11 AFLCF-12-CX-XPE

Model	AFL-15A-CX	AFL-15B-690	AFL-15A-915 AFL-15B-915	AFL-17A-CX	AFL-17B-690	AFL-17A-915 AFL-17B-915	AFL-19A-CX	AFL-19B-690	AFL-19A-915 AFL-19B-915
	Panel mounting kit	AFLPK-15				AFLPK-17		AFLPK-19	
Wall mounting kit					AFLWK-19				
Rack mounting kit	AFLRK-15				AFLRK-17		N/A		
ARM	ARM-11-RS, ARM-31-RS								
Stand	STAND-A19, STAND-B19, STAND-210-RS								
DC to DC converter module	N/A								
OS: Win CE 5.0	AFLCF-15-CX-CE	AFLCF-15-690-CE050	AFLCF-15-915-CE050	AFLCF-17-CX-CE	AFLCF-17-690-CE050	AFLCF-17-915-CE050	AFLCF-19-CX-CE	AFLCF-19-690-CE050	AFLCF-19-915-CE050
OS: Win CE 6.0	AFLCF-15-CX-CE-CE060	AFLCF-15-690-CE060	AFLCF-15-915-CE060	AFLCF-17-CX-CE-CE060	AFLCF-17-690-CE060	AFLCF-17-915-CE060	AFLCF-19-CX-CE-CE060	AFLCF-19-690-CE060	AFLCF-19-915-CE060
OS: Win XPE	AFLCF-15-CX-XPE	AFLCF-15-690-XPE	AFLCF-15-915-XPE	AFLCF-17-CX-XPE	AFLCF-17-690-XPE	AFLCF-17-915-XPE	AFLCF-19-CX-XPE	AFLCF-19-690-XPE	AFLCF-19-915-XPE

Ordering Information

AMD Geode™ LX Family	
AFL-056A-LX/WT-R/256MB	5.6", 350cd/m ² QVGA fanless panel PC with AMD Geode™ LX 800 CPU, 256MB DDR RAM, 802.11 b/g wireless module, Bluetooth module and touch screen, RoHS
AFL-056A-LX/WT-R/512MB	5.6", 350cd/m ² QVGA fanless panel PC with AMD Geode™ LX 800 CPU, 512MB DDR RAM, 802.11 b/g wireless module, Bluetooth module and touch screen, RoHS
AFL-057A-LX/WT-R/256MB	5.7", 400cd/m ² VGA fanless panel PC with AMD Geode™ LX 800 CPU, 256MB DDR RAM, 802.11 b/g wireless module, Bluetooth module and touch screen, RoHS
AFL-057A-LX/WT-R/512MB	5.7", 400cd/m ² VGA fanless panel PC with AMD Geode™ LX 800 CPU, 512MB DDR RAM, 802.11 b/g wireless module, Bluetooth module and touch screen, RoHS
AFL-07A-LX/WT-R/256MB-R11	7", 350cd/m ² WVGA fanless panel PC with AMD Geode™ LX 800 CPU, 256MB DDR RAM, 802.11b/g wireless module, Bluetooth module and touch screen, RoHS
AFL-07A-LX/WT-R/512MB-R11	7", 350cd/m ² WVGA fanless panel PC with AMD Geode™ LX 800 CPU, 512MB DDR RAM, 802.11b/g wireless module, Bluetooth module and touch screen, RoHS
AFL-08AH-LX/WT-R/256MB-R11	8.4", 450cd/m ² SVGA fanless panel PC with AMD Geode™ LX 800 CPU, 256MB DDR RAM, 802.11b/g wireless module, Bluetooth module and touch screen, RoHS
AFL-08AH-LX/WT-R/512MB-R11	8.4", 450cd/m ² SVGA fanless panel PC with AMD Geode™ LX 800 CPU, 512MB DDR RAM, 802.11b/g wireless module, Bluetooth module and touch screen, RoHS
AFL-10A-LX/WT-R/256MB/**(GPRS01)	10.4", 400cd/m ² SVGA fanless panel PC with AMD Geode™ LX 800 CPU, 256MB DDR RAM, 802.11b/g wireless module, Bluetooth module and touch screen, RoHS
AFL-10A-LX/WT-R/512MB/**(GPRS01)	10.4", 400cd/m ² SVGA fanless panel PC with AMD Geode™ LX 800 CPU, 512MB DDR RAM, 802.11b/g wireless module, Bluetooth module and touch screen, RoHS
AFL-12A-LX/WT-R/256MB-R11/**(GPRS01)	12.1", 450cd/m ² XGA fanless panel PC with AMD Geode™ LX 800 CPU, 256MB DDR RAM, 802.11b/g wireless module, Bluetooth module and touch screen, RoHS
AFL-12A-LX/WT-R/512MB-R11/**(GPRS01)	12.1", 450cd/m ² XGA fanless panel PC with AMD Geode™ LX 800 CPU, 512MB DDR RAM, 802.11b/g wireless module, Bluetooth module and touch screen, RoHS

**Note: For AFL-12A/15A model, if the GPRS module is used, the HDD can't be implemented.

Ordering Information

VIA® CX700M Family	
AFL-10A-CX-15GZ/WT-R/512MB/**(GPRS01)	10.4", 400cd/m ² SVGA panel PC with VIA C7® 1.5GHz CPU, 512MB DDR2 RAM, 802.11b/g wireless module, Bluetooth module and touch screen, RoHS
AFL-10A-CX-05GZ/WT-R/512MB/**(GPRS01)	10.4", 400cd/m ² SVGA fanless panel PC with VIA Eden™ 500MHz CPU, 512MB DDR2 RAM, 802.11b/g wireless module, Bluetooth module and touch screen, RoHS
AFL-12B-CX-15GZ/WT-R/512MB/**(GPRS01)	12.1", 450cd/m ² XGA panel PC with VIA C7® 1.5GHz CPU, 512MB DDR2 RAM, 802.11b/g wireless module, Bluetooth module and touch screen, RoHS
AFL-12B-CX-05GZ/WT-R/512MB/**(GPRS01)	12.1", 450cd/m ² XGA fanless panel PC with VIA Eden™ 500MHz CPU, 512MB DDR2 RAM, 802.11b/g wireless module, Bluetooth module and touch screen, RoHS
AFL-15A-CX-15GZ/WT-R/512MB/**(GPRS01)	15", 350cd/m ² XGA panel PC with VIA C7® 1.5GHz CPU, 512MB DDR2 RAM, 802.11b/g wireless module, Bluetooth module and touch screen, RoHS
AFL-15A-CX-05GZ/WT-R/512MB/**(GPRS01)	15", 350cd/m ² XGA fanless panel PC with VIA Eden™ 500MHz CPU, 512MB DDR2 RAM, 802.11b/g wireless module, Bluetooth module and touch screen, RoHS
AFL-17A-CX-15GZ/WT-R/512MB/**(GPRS01)	17", 300cd/m ² SXGA panel PC with VIA C7® 1.5GHz CPU, 512MB DDR2 RAM, 802.11b/g wireless module, Bluetooth module and touch screen, RoHS
AFL-17A-CX-05GZ/WT-R/512MB/**(GPRS01)	17", 300cd/m ² SXGA fanless panel PC with VIA Eden™ 500MHz CPU, 512MB DDR2 RAM, 802.11b/g wireless module, Bluetooth module and touch screen, RoHS
AFL-19A-CX-15GZ/WT-R/512MB/**(GPRS01)	19", 300cd/m ² SXGA panel PC with VIA C7® 1.5GHz CPU, 512MB DDR2 RAM, 802.11b/g wireless module, Bluetooth module and touch screen, RoHS
AFL-19A-CX-05GZ/WT-R/512MB/**(GPRS01)	19", 300cd/m ² SXGA fanless panel PC with VIA Eden™ 500MHz CPU, 512MB DDR2 RAM, 802.11b/g wireless module, Bluetooth module and touch screen, RoHS

Intel® 915 Family

• CPU BGA Type

** : (GPRS0) for optional GPRS module

Celeron®M 1.0GHz 512K cache	
AFL-15A-915-10G/WT-R/1GB	15" 350cd/m ² XGA panel PC w/ Celeron® M 1.0GHz 512K cache CPU, 1GB DDR2 RAM, 802.11 b/g wireless module, touch screen, Bluetooth, RoHS
AFL-17A-915-10G/WT-R/1GB	17" 300cd/m ² SXGA panel PC w/ Celeron® M 1.0GHz 512K cache CPU, 1GB DDR2 RAM, 802.11 b/g wireless module, touch screen, Bluetooth, RoHS
AFL-19A-915-10G/WT-R/1GB/**(GPRS01)	19" 300cd/m ² SXGA panel PC w/ Celeron® M 1.0GHz 512K cache CPU, 1GB DDR2 RAM, 802.11 b/g wireless module, touch screen, Bluetooth, RoHS

• CPU Socket Type

Pentium®M 1.6GHz (Intel® Processor # 730)

AFL-15B-915-PM730/WT-R/1GB/**(GPRS01)	15" 350cd/m ² XGA panel PC w/ Pentium® M 1.6GHz CPU, 1GB DDR2 RAM, 802.11 b/g wireless module, touch screen, Bluetooth, RoHS
AFL-17B-915-PM730/WT-R/1GB/**(GPRS01)	17" 300cd/m ² SXGA panel PC w/ Pentium® M 1.6GHz CPU, 1GB DDR2 RAM, 802.11 b/g wireless module, touch screen, Bluetooth, RoHS
AFL-19B-915-PM730/WT-R/1GB/**(GPRS01)	19" 300cd/m ² SXGA panel PC w/ Pentium® M 1.6GHz CPU, 1GB DDR2 RAM, 802.11 b/g wireless module, touch screen, Bluetooth, RoHS

Celeron®M 1.5GHz (Intel® Processor # 370)

AFL-15B-915-CM370/WT-R/1GB/**(GPRS01)	15" 350cd/m ² XGA panel PC w/ Celeron® M 1.5GHz CPU, 1GB DDR2 RAM, 802.11 b/g wireless module, touch screen, Bluetooth, RoHS
AFL-17B-915-CM370/WT-R/1GB/**(GPRS01)	17" 300cd/m ² SXGA panel PC w/ Celeron® M 1.5GHz CPU, 1GB DDR2 RAM, 802.11 b/g wireless module, touch screen, Bluetooth, RoHS
AFL-19B-915-CM370/WT-R/1GB/**(GPRS01)	19" 300cd/m ² SXGA panel PC w/ Celeron® M 1.5GHz CPU, 1GB DDR2 RAM, 802.11 b/g wireless module, touch screen, Bluetooth, RoHS

AMD 690 Family

AMD Athlon™ 64 X2 Dual-Core 4000+ 2.1GHz

AFL-15B-690-AX2-4000/WT-R/1GB/**(GPRS01)	15" 350cd/m ² XGA panel PC w/ AMD Athlon™ 64 X2 Dual-Core 4000+ 2.1GHz CPU, 1GB DDR2 RAM, 802.11 b/g wireless module, touch screen, Bluetooth, RoHS
AFL-17B-690-AX2-4000/WT-R/1GB/**(GPRS01)	17" 300cd/m ² SXGA panel PC w/ AMD Athlon™ 64 X2 Dual-Core 4000+ 2.1GHz CPU, 1GB DDR2 RAM, 802.11 b/g wireless module, touch screen, Bluetooth, RoHS
AFL-17B-690-AX2-4000/WT-R/1GB/**(GPRS01)	19" 300cd/m ² SXGA panel PC w/ AMD Athlon™ 64 X2 Dual-Core 4000+ 2.1GHz CPU, 1GB DDR2 RAM, 802.11 b/g wireless module, touch screen, Bluetooth, RoHS