



**For Security  
Vari-Focal**

# YV10×5R4A-SA2

Applicable camera (model)

1	2/3	1/2	1/3	1/4
---	-----	-----	-----	-----

10×



**VARI**  
Vari-Focal

**WIDE**  
Wide Angle

**TELE**  
Telephoto  
Long Focal

**Day~  
Night**  
Day & Night

**DC**  
DC Auto Iris

**CS-mt**  
CS Mount

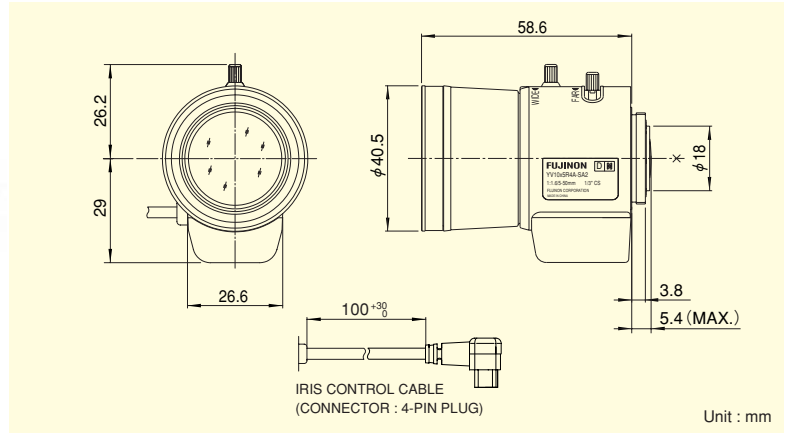
**METAL**  
Metal Mount

**ND**  
ND Filter

**230**  
Long Cable

**AT**  
Aspherical Lens

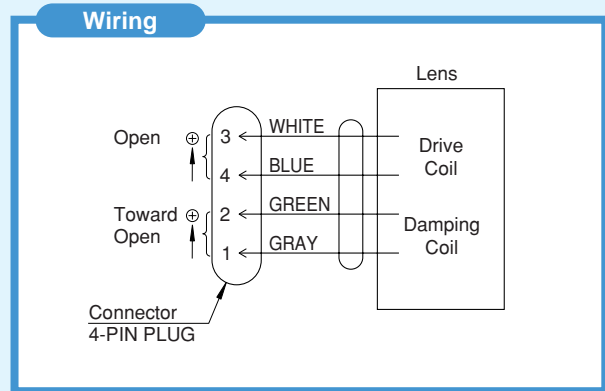
**F1.6**  
Wide Aperture Rate



- Advanced design engineering and special optic glass adopted, best suited for color, Black and White and Day and Night cameras.
- Broad range of f5-50mm, supporting various applications.
- Wide aperture of F1.6, optimizing the performance at low lighting intensity.
- High accuracy aspheric lens adopted, achieving the high quality image.
- Built-in ND filter of T360, supporting high sensitivity cameras.

VARI-FOCAL LENSES

Focal Length (mm)		5~50 (10×)	
Iris Range		F1.6 ~ T360 (Equivalent to F360)	
Operation	Zoom	Manual	
	Focus	Manual	
	Iris	Auto (DC Type) (*1)	
Angle Of View (H×V)	1/3"	WIDE	51°17' × 39°36'
		TELE	5°30' × 4°07'
	1/4"	WIDE	39°36' × 30°13'
		TELE	4°07' × 3°06'
Focusing Range (From Front Of The Lens) (m)		∞ ~ 0.3	
Object Dimensions at M.O.D. (H×V) (mm)	1/3"	WIDE	304 × 228
		TELE	54 × 41
	1/4"	WIDE	228 × 171
		TELE	41 × 31
Back Focal Distance (in air) (mm)		7.50	
Exit Pupil Position (From Image Plane) (mm)		-43	
Filter Thread (mm)		—	
Mount		CS	
Mass (g)		85	
Coil Resistance		Drive Coil	190Ω
		Damping Coil	500Ω
Current Consumption		23mA (Max.) at DC 4V	
Remarks	<ul style="list-style-type: none"> <li>• With Metal Mount</li> <li>(*1) When power is turned off, iris will automatically close.</li> </ul> YV10×5R4A-SA2L : Long Cable Type (230mm)		



[Lens Image]

