

IDDUPS-1228180 *80 W Battery Charger Module for ACE-818C*

1 Application Server Platform

2 Single Board Computer

3 IBX Series POS PC

4 AFOLLUX POS Panel PC

5 Video Capture Card

6 KAMIO RISC

7 IOVU Open HMI

8 VITO Universal Controller

9 DINO BLADE

10 LCD Product Series

11 Embedded System

12 Industrial Computer Chassis

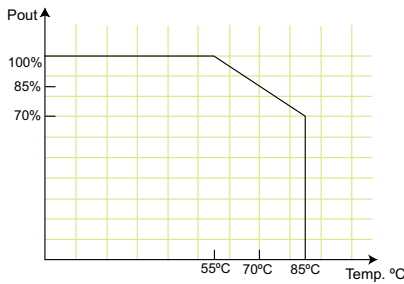
13 Power Supply

14 Peripherals



Specifications

- Output (9max.): 20 V@4 A
- Battery charge voltage: 12 VDC to 28 VDC
- Efficiency: up to 90%
- Dimensions: 40 mm x 100 mm
- Weight: NW: 40 g
- Operating temperature: 0°C ~ 50°C
- Storage temperature: -20°C ~ 85°C



PIN Assignments

Input Power Connector

CN1	Pin 1	Pin 2	Pin 3
	VIN	-	GND

Output Power Connector

CN2	Pin 1	Pin 2	Pin 3
	VOUT	-	GND

Battery Connector

CN3	Pin1	Pin 2	Pin 3	Pin 4	Pin 5	Pin 6	Pin 7
	BAT+	BAT+	NC	NC	NC	GND	GND

Packing information

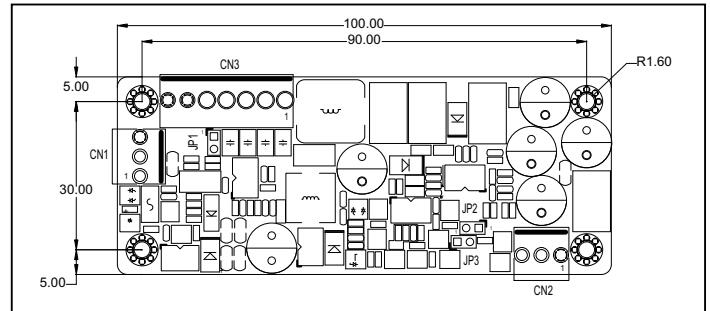
1 x IDDUPS-1228180-R10

2 x CB-818C-RS

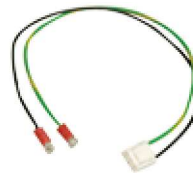
Ordering Information

Part No.	Description
IDDUPS-1228180-R10	80 W; battery charger for ACE-818C
ACE-818C	+24 VDC input 140 W ATX / battery backup function power supply
BAT-LI-2S1P3000	Li-Polymer, smart battery pack, 2S1P, 3000 mAH
CB-818C-RS	40 cm, cable for ACE-818C input/output

Dimensions (Millimeters)



Wire Harness Selection Guide



PN: CB-818C-RS

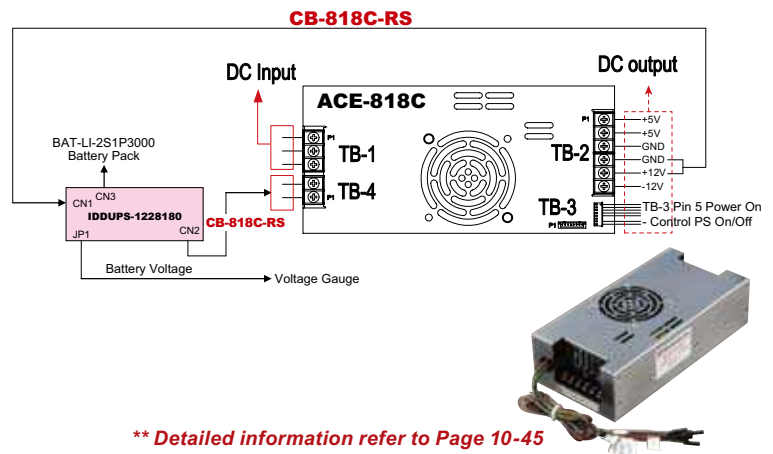
Cable for ACE-818C input/output

Battery Pack: Part # BAT-LI-2S1P3000



Battery Type	Li-Polymer			
Pout(W)	100	80	60	40
Time(min)	8	14	22	35
Dimensions	DR202 package 148x89x20 mm			
Capacity	3000 mAH			
Weight	230 g			

ACE-818C & IDDUPS-1228180 Wiring information



** Detailed information refer to Page 10-45