

IES-1062/1080 Series

>> Industrial 8-port Unmanaged Ethernet Switch

- Completely options to support 10/100Base-T(X), 1000Base-T, 100Base-FX and 1000Base-X ports
- Triple Redundant DC power inputs
- Rigid IP-30 housing design



> Features

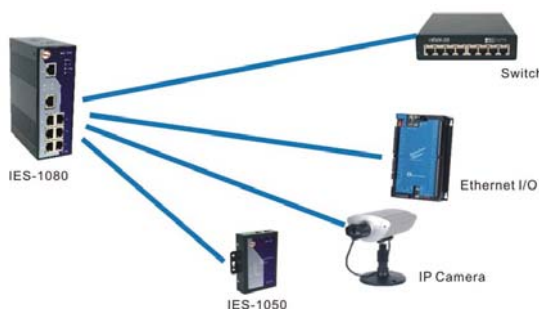
- Triple redundant DC power inputs of terminal block and power jack
- Completely combination of 100Base-T(X), 100Base-FX, 1000Base-T, and 1000Base-X ports
- Very wide operating temperature range from -40 to 70°C
- Rigid IP-30 housing design
- DIN-Rail and panel mounting enabled

> Introduction

IES-1080/1062 series are unmanaged Ethernet switches with 6x10/100Base-T(X) & 2x100Base-FX, 1000Base-T, 1000Base-SX or 1000Base-LX ports. IES-1080/1062 series support redundant power input, relay output alarm, and surge protection. The wide operating temperature range from -40°C to 70°C can satisfy most of operating environments.

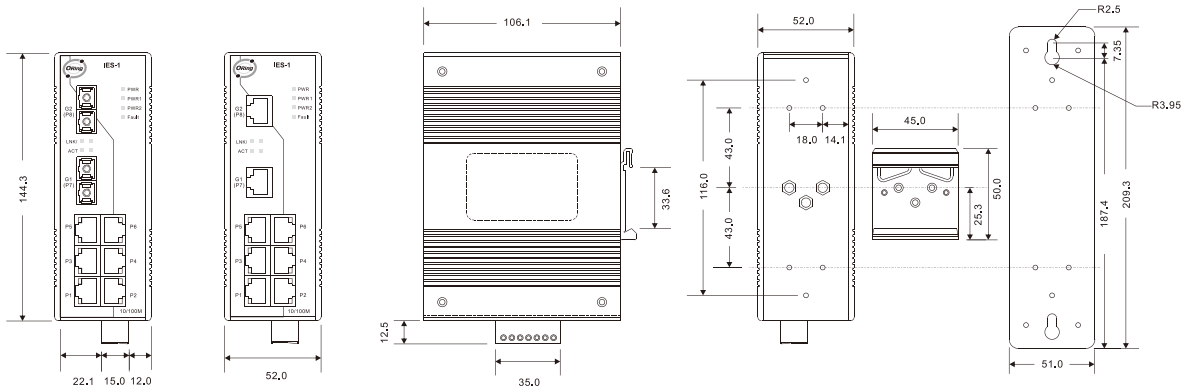
> Practical Operation

IES-1080/1062 series can be used in connecting several Ethernet devices like Ethernet I/O, IP-Camera or other Ethernet switches. In addition, there are three different power inputs to enhance its reliability, two supplied by terminal block, and one by power jack to avoid interruption caused by power down. When the primary DC power input fails, the backup power input will take over immediately to guarantee a non-stop operation.



Connections of Ethernet devices

> Dimension



(Unit=mm)

> Specifications

ORing Switch Model	IES-1080	IES-1062GT	IES-1062FX-MM	IES-1062FX-SS	IES-1062GF-MM	IES-1062GF-SS
Physical Ports						
10/100Base-T(X) Ports in RJ45 Auto MDI/MDIX	8	6	6	6	6	6
1000Base-T Ports in RJ45 Auto MDI/MDIX		2				
100Base-FX Multi-mode ports (2KM, 1310nm, SC connector)			2			
100Base-FX Single-mode ports (30KM, 1310nm, SC connector)				2		
1000Base-SX Multi-mode ports (550M, 850nm, SC connector)					2	
1000Base-LX Single-mode ports (10KM, 1310nm, SC connector)						2
Technology						
Ethernet Standards	IEEE 802.3 for 10Base-T, IEEE 802.3u for 100Base-T(X) and 100Base-FX, IEEE 802.3ab for 1000Base-T, IEEE 802.3x for Flow control					
MAC Table	8192 MAC addresses					
Processing	Store-and-Forward					
LED Indicators						
Power Indicator	Green : Power LED x 3					
Fault Indicator	Amber : Indicate PWR1 or PWR2 failure					
10/100Base-T(X) RJ45 Port Indicator	Green for port Link/Act. Amber for Duplex/Collision					
Fiber Port Indicator	Green for port Link/Act. Amber for Link					
Fault contact						
Relay	Relay output to carry capacity of 1A at 24VDC					
Power						
Redundant Input Power	Triple DC inputs. 12-48VDC on 7-pin terminal block, 12-45VDC on power jack					
Power Consumption (Typ.)	4 Watts	7 Watts	8 Watts	8 Watts	6 Watts	6 Watts
Overload Current Protection	Present					
Reverse Polarity Protection	Present on terminal block					

Physical Characteristic						
Enclosure	IP-30					
Dimension (W x D x H)	52(W) x 106.1(D) x 144.3(H) mm (2.05x4.18x5.68 inch.)					
Weight (g)	666 g	677 g	680 g	680 g	685 g	685 g
Environmental						
Storage Temperature	-40 to 85°C (-40 to 185°F)					
Operating Temperature	-40 to 70°C (-40 to 158°F)					
Operating Humidity	5% to 95% Non-condensing					
Regulatory approvals						
EMI	FCC Part 15, CISPR (EN55022) class A					
EMS	EN61000-4-2 (ESD), EN61000-4-3 (RS), EN61000-4-4 (EFT), EN61000-4-5 (Surge), EN61000-4-6 (CS), EN61000-4-8, EN61000-4-11					
Shock	IEC60068-2-27					
Free Fall	IEC60068-2-32					
Vibration	IEC60068-2-6					
Safety	EN60950					
Warranty	5 years					

> Ordering Information

IES-1 **AA** **B** **CC** - **DD** - **EE**

Code Definition	10/100Base-T(X) Port Number	Additional Port Number	Additional Port Type	Fiber Optical Mode	Fiber Optical Connector
Option	- 08 : 8 ports - 06 : 6 ports	- 0 : 0 port - 2 : 2 ports	- GT : 10/100/1000Base-T(X) - FX : 100FX - GF : 1000Base-X	- MM : Multi-mode - SS : Single-mode	- SC : SC connector

Available Model	Model Name	Description
	IES-1080	Industrial 8-port Unmanaged Ethernet Switch with 8x10/100Base-T(X)
	IES-1062GT	Industrial 8-port Unmanaged Ethernet Switch with 6x10/100Base-T(X) & 2x10/100/1000Base-T(X)
	IES-1062FX-MM-SC	Industrial 8-port Unmanaged Ethernet Switch with 6x10/100Base-T(X) & 2x100FX (Multi-mode)
	IES-1062FX-SS-SC	Industrial 8-port Unmanaged Ethernet Switch with 6x10/100Base-T(X) & 2x100FX (Single-mode)
	IES-1062GF-MM-SC	Industrial 8-port Unmanaged Ethernet Switch with 6x10/100Base-T(X) & 2x1000SX (Multi-mode)
	IES-1062GF-SS-SC	Industrial 8-port Unmanaged Ethernet Switch with 6x10/100Base-T(X) & 2x1000LX (Single-mode)