

PCI-7851/PCI-7852

High Speed Link Master Controller Interface Cards

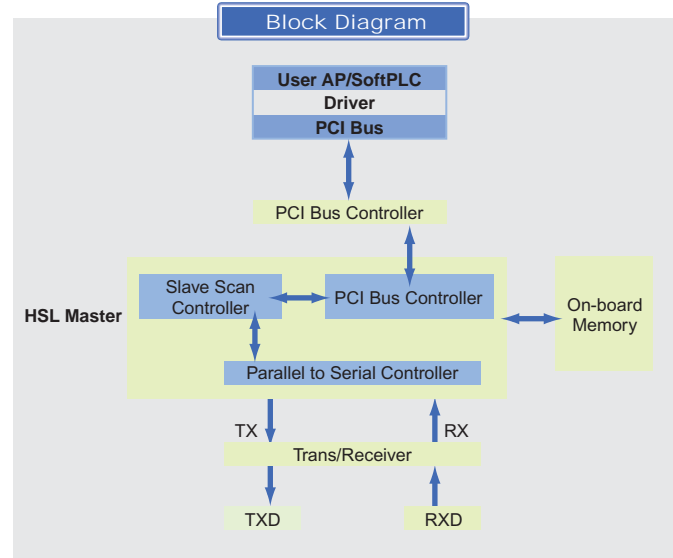


Features

- Single/dual independent network operation
- One network port with 2 separate connectors
- Max. 300m x 2 communication distance at 12 Mbps
- Jumper selectable transmission speed: 3M/6M/12M bps transmission speed
- Jumper selectable transmission mode: full/half duplex
- On board memory
- Programmable timer interrupt
- RJ45 phone jack for easy installation
- LED diagnostic

Specifications

- PCI local bus specification Rev. 2.1 compliance
- Master controller ASIC
- Built-in 32KB SRAM for PCI-7851; built-in 32KB x 2 for PCI-7852 and PMC-7852
- Full/Half duplex, RS-422 with transformer isolation
- Transmission speed: 3/6/12M bps
- PCB Dimensions: 176 (L) x 107 (W) mm
- Operating Temperature: 0 to 70°C
- Storage Temperature: -20 to 80°C
- Power Consumption: +5V @500 mA typical
- Pin Assignment



Software Support

- Windows 98/NT/2000/XP Library
- Linux Driver for Redhat kernel 2.4.x
- Link Master Utility

Ordering Information

PCI-7851	Single HSL master controller card with two separate connectors
PCI-7852	Dual HSL master controller interface card with four separate connectors

